

Kaman Industrial Technologies

EMAILED



Q U O T A T I O N

PAGE 1 OF 1 NUMBER K975382

FROM NUMBER K975382

3269 KOAPAKA STREET

HONOLULU, OAHU HI 96819

T
O

CANADA-FRANCE-HAWAII
65-1238 MAMALAHOA HWY

KAMUELA HI 96743

SHIP TO

CANADA-FRANCE-HAWAII
TELESCOPE CORPORATION
65-1238 MAMALAHOA HWY
KAMUELA HI 96743

ATTN: ATTN STEVE:BREVINI ADAPTOR KIT

ACCOUNT NO.	SALESMAN	SHIP VIA	SHIP DATE	TAX	BRANCH NO.	PO / TAG ORDER NUMBER		
Z23441	H16	UPS	21-JAN-10	NYYY	00851			
SEQ.	ITEM DESCRIPTION		ORDERED	BACK ORDERED	SHIPPED	U/M	PRICE	EXTENSION
5	***** QUOTE ***** QUOTE ** QUOTE ** QUOTE ** QUOTE ***** QUOTE ***** ***** QUOTE ***** QUOTE ** QUOTE ** QUOTE ** QUOTE ***** QUOTE ***** BVI K61130202190_MOTOR ADAPTOR KIT 0		1	0	0	EA	606.690	606.69
ATTN STEVE: BREVINI MOTOR ADAPTOR KIT CONSISTS OF FLANGE, COUPLING, GASKET, OIL SEAL, AND HARDWARE. PRICE PLUS FREIGHT AND TAX. KIT IS NON-CANCELLABLE AND NON-RETURNABLE. LEAD TIME IS TWO TO THREE DAYS TO SHIP. THANK YOU - GARY TOFANELLI								
INITIAL:		BUYER:	RESALE:				TAX	28.58
GNT		N STEVE BAUMAN						
QUOTE EXPIRES:		CUSTOMER TELEPHONE:	BUS: (808) 836-1371					
20-FEB-10		(808) 885-7944	FAX: (808) 833-0538				TOTAL	635.27

TRANSACTION IS SUBJECT TO THE TERMS AND CONDITIONS ON THE ACCOMPANYING EMAILED TERMS AND CONDITIONS DOCUMENT, INCLUDING THE DISCLAIMER OF WARRANTY. MATERIAL MAY NOT BE RETURNED WITHOUT PRIOR AUTHORIZATION. QUOTES ARE SUBJECT TO CREDIT APPROVAL FOR RELIAMARK BRANDED PRODUCTS LIMITED WARRANTY, PLEASE VISIT WWW.RELIAMARK.NET/WARRANTY.

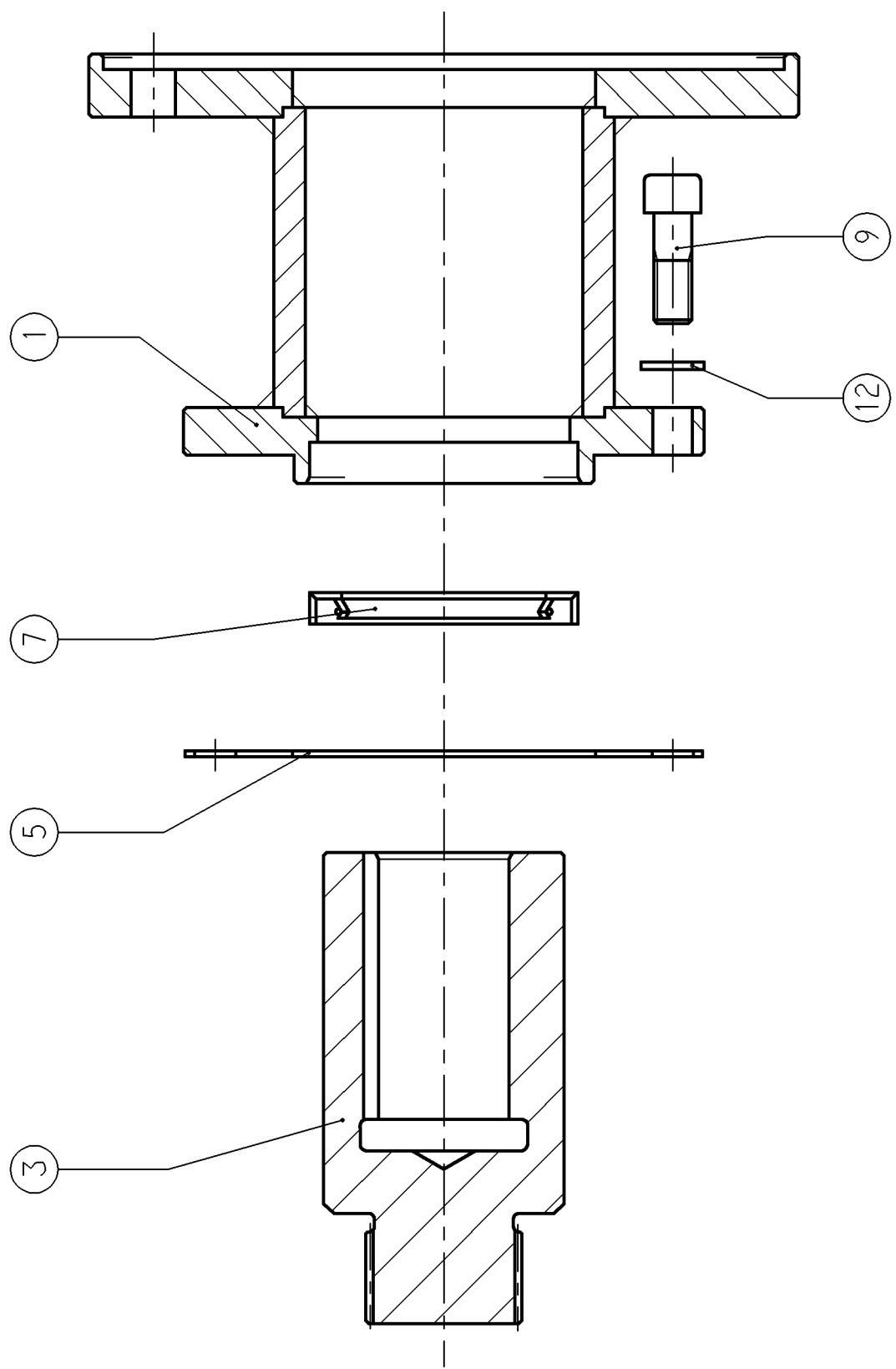
ESPLOSO FLANGIATURA

Exploded view adaptor set - Vue eclatee adaptation
 Anbauteile einzeldarstellung - Despiece adaptation

61130202190

Disegnato da: MONTANARI il : 11/12/95

Controllato da: INCERTI il : 11/12/95



DISEGNO ESEGUITO CON
 SISTEMA CAD
 NON MODIFICARE A MANO



Mod.	Descrizione modifica	Data	Es./Ct.	Sostituisce il:

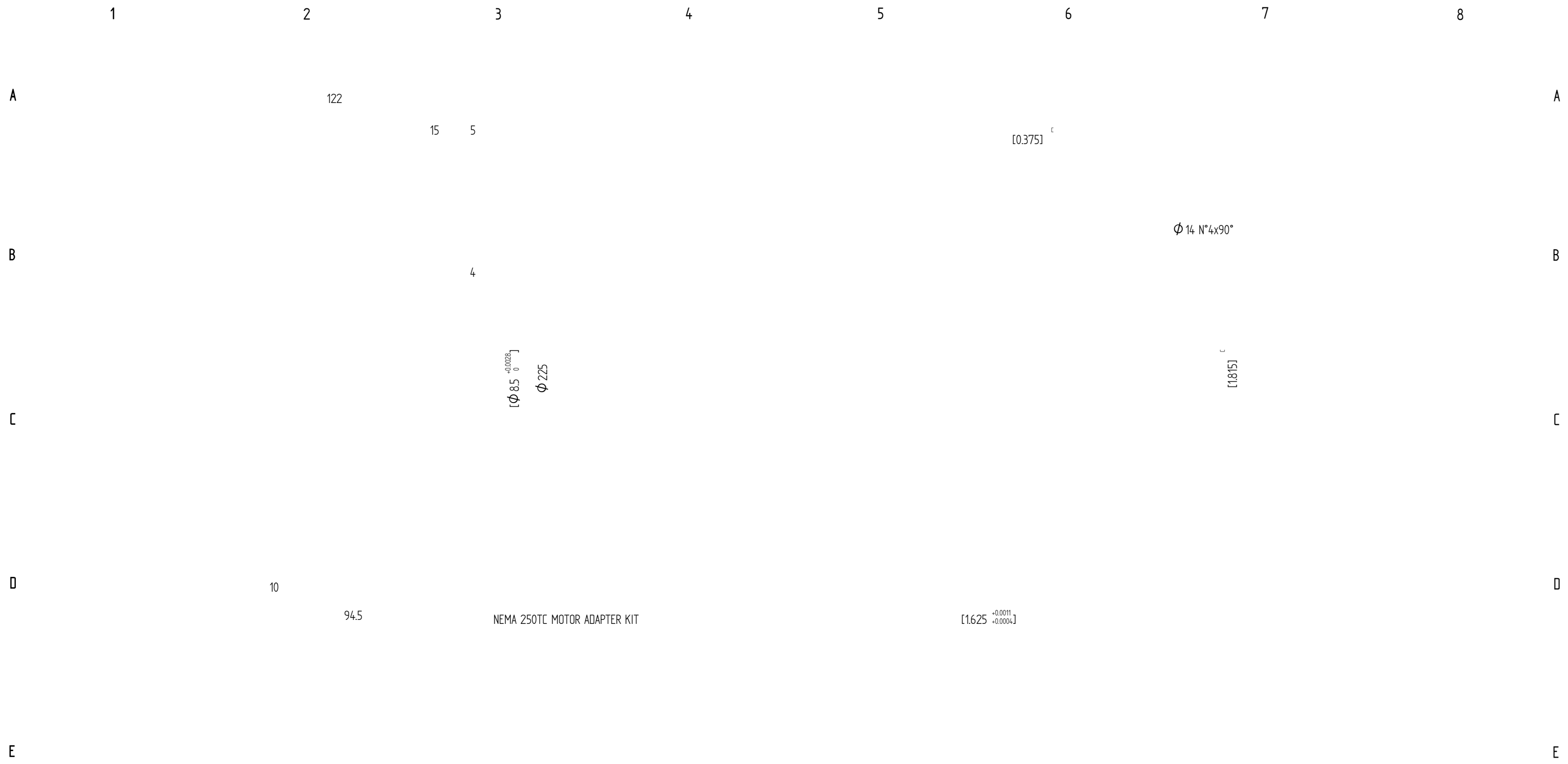
**COMPONENT PART LIST****DB62130202190/A**

Date: 21-12-2005

Description: **UNIVERSAL ADAPTOR**
 Business Code: **UNI 621.0 Vitor/B24 00 (X=122)**
 Discriminating:

Pos	Code	Denomination	Q.ty	Notes
001	30130226000	FLANGE UNI /I F145/.. /To4	1	
003	30521930600	COUPLI NG B24/.. /D41, 27i	1	
005	36602249000	GASKET UNI /I F145/.. /To6	1	
007	41127900100	OIL SEAL BA60x85x10 Vi ton	1	
009	46213800000	SCREW M12x35 UNI 5931-67-8. 8	6	
012	46701200101	WASHER 13x20x2, 5 UNI 6592-93-HV300	6	

Expl oded Vi ew SE61130202190



This drawing and the information thereon is the property of Brevini USA and should not be reproduced (in whole or in part) or used for manufacture or otherwise disclosed without prior written consent of Brevini USA.

Note: Dimensions in [] = inches; Unless otherwise specified dimensions are in 'mm' [] SIMPLIFIED DIMENSIONS

DESCRIPTION	REV	DRAWN	APPR	DATE
		CRA	DAJ	07/17/09
		SCALE: 1:2	DRAWN: BW	
		SIZE B	CHECKED: DAJ	
		SHEET 1 OF 1	DATE: 02/01/05	

- | | |
|---------------------------|----------------------|
| FILLING AND BREATHER PLUG | BRAKE BREATHER PLUG |
| OIL LEVEL PLUG | BRAKE OIL LEVEL PLUG |
| MAGNETIC AND DRAIN PLUG | BRAKE DRAIN PLUG |
| GREASE PORT | BRAKE RELEASING PLUG |



TITLE
NEMA 250TC
MOTOR ADAPTER KIT

DRAWING NO: DIU100307

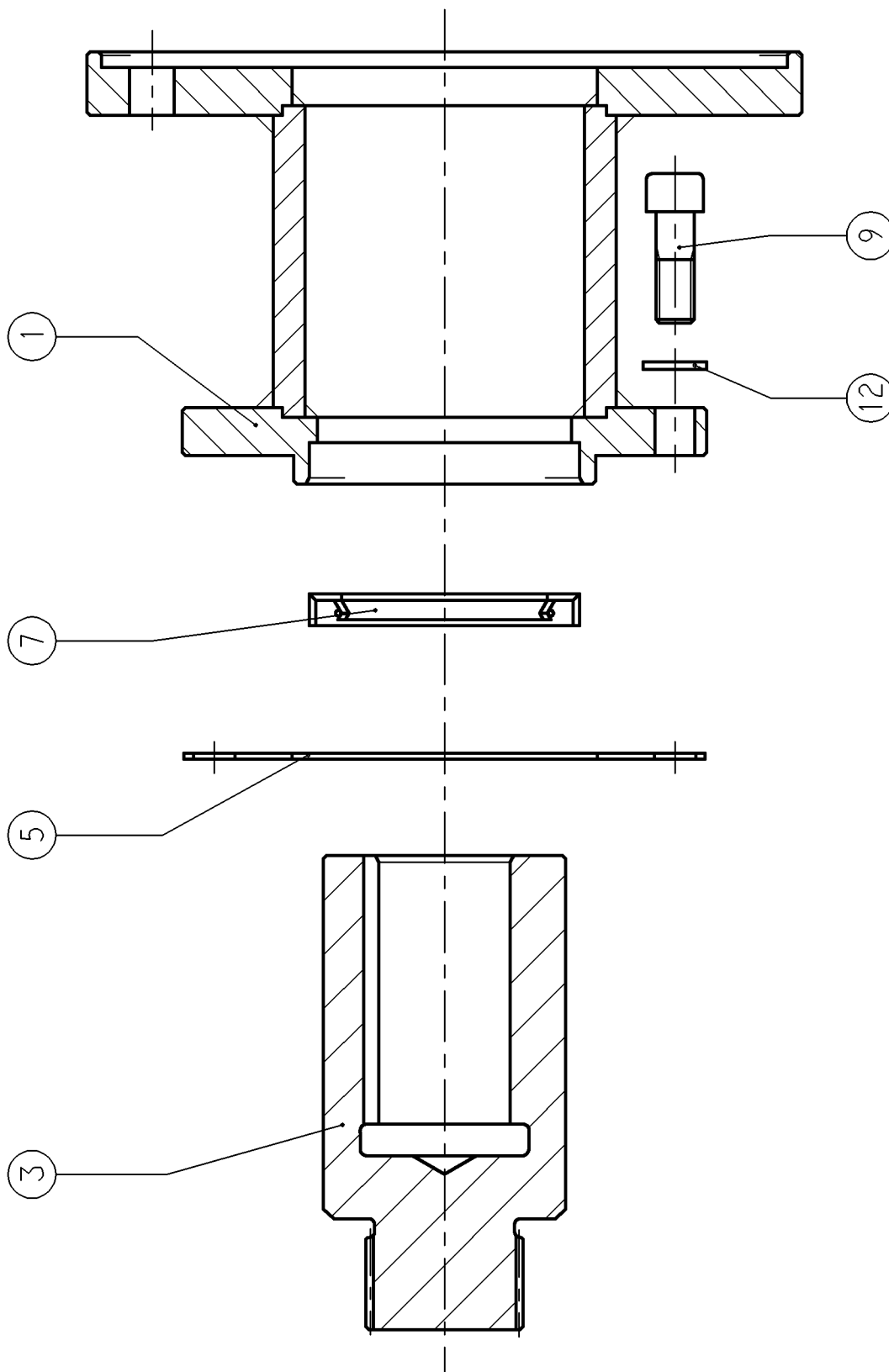
ESPLOSO FLANGIATURA

Exploded view adaptor set - Vue eclatee adaptation
 Anbauteile einzeldarstellung - Despiece adaptation

61130202190

Disegnato da: MONTANARI il : 11/12/95

Controllato da: INCERTI il : 11/12/95



DISEGNO ESEGUITO CON
 SISTEMA CAD
 NON MODIFICARE A MANO



Mod.	Descrizione modifica	Data	Es./Ct.	Sostituisce il: