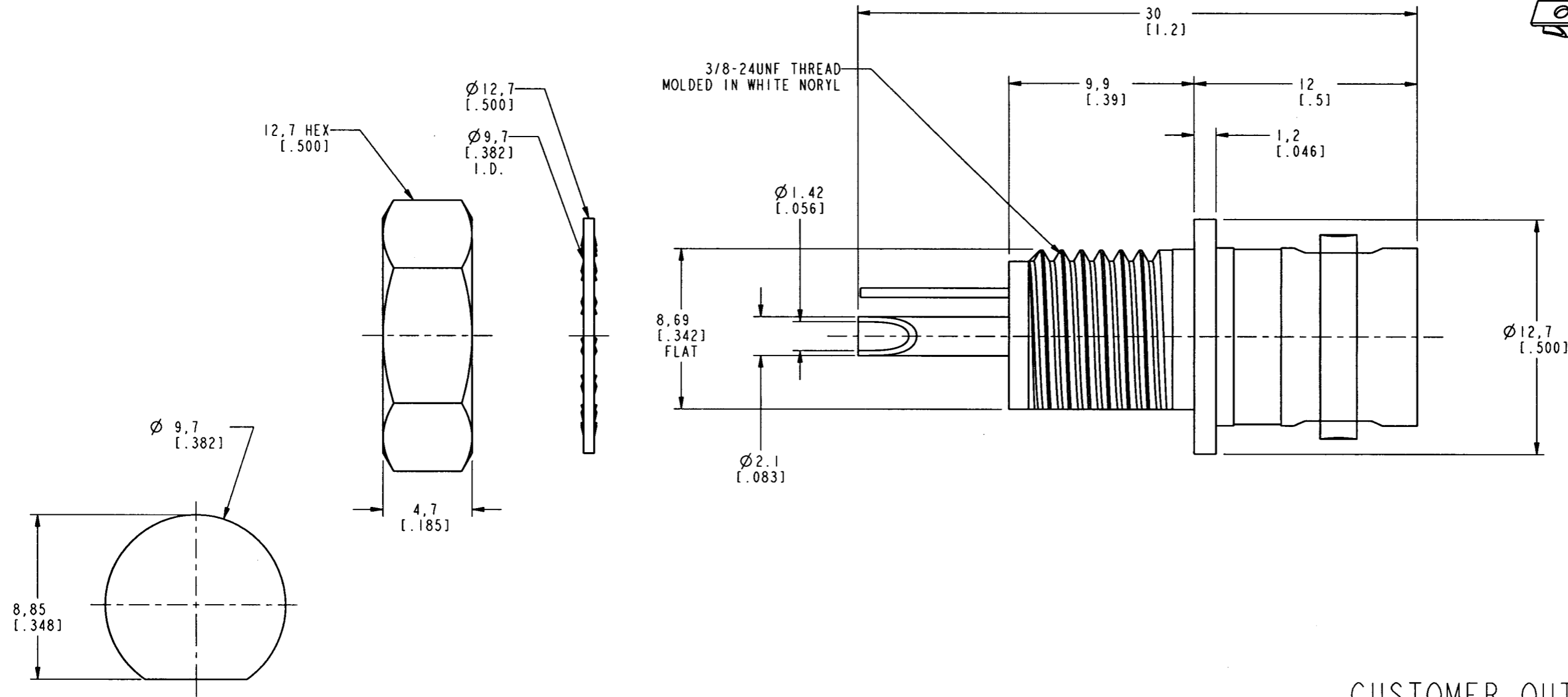
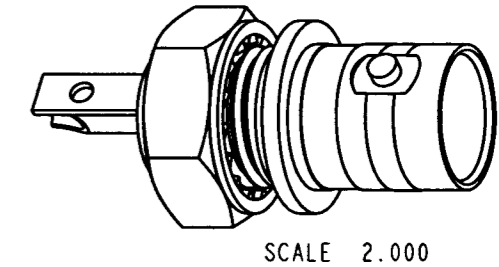


NOTES:

- MATERIALS OF CONSTRUCTION:
 BODY & HEX NUT = BRASS (Q0-B-626), NICKEL PLATED
 LOCKWASHER & LOCK RING = BRASS (Q0-B-613), NICKEL PLATED
 BRAID GROUNDING = BRASS (Q0-B-613), BRIGHT TIN PLATED
 CONTACT PIN = PHOSPHOR BRONZE, SILVER PLATED
 INSULATOR = NYLON, COLOR WHITE
- RECOMMENDED TORQUE: A MAXIMUM TORQUE OF 12 INCH-LBS MAY BE APPLIED ON HEX NUT WHEN MOUNTING CONNECTOR IN PANEL.

| | | | | | |
|-------------------|-----|-----------------|---------|-------|------|
| 31-10-RFX | | REVISIONS | | | |
| DRAWING NO. | REV | DESCRIPTION | DATE | ECO | APPR |
| THIRD ANGLE PROJ. | -- | RELEASE TO MFG. | | | |
| | F | SEE SHEET 1 | 10/2/00 | 43458 | CPM |



RECOMMENDED MOUNTING HOLE DIMENSIONS
SCALE 4.000

THIS CONNECTOR IS COVERED BY U.S. PATENT 3,396,132

CUSTOMER OUTLINE DRAWING FOR REFERENCE ONLY

| | | | | | |
|---|--|----------------------|-----------------|--|--|
| UNLESS OTHERWISE SPECIFIED, DIMENSIONS ARE IN INCHES AND TOLERANCES ARE: 0.5 - 6mm ±0.2mm 6 - 30mm ±0.4mm 30 - 120mm ±0.6mm | MATERIAL | DRAWN C. McGRATH | DATE 7/24/00 | TITLE BNC BULKHEAD RECEPTACLE ISOLATED JACK | Amphenol Amphenol Corporation Communication and Network Products Division Danbury, CT U.S.A. 06810 SCALE: 4.0:1 SHEET 2 OF 2 |
| | REFERENCE EAR 962370-0 & 967598-0 GEN# ASSYF14_BNC | ENGINEER T. AUBIN | DATE 7/24/00 | APPROVED <i>T. Aubin</i> DATE 9/13/00 | |
| NOTICE - These drawings, specifications, or other data (1) are, and remain the property of Amphenol Corp. (2) must be returned upon request; and (3) are confidential and not to be disclosed to any person other than those to whom they are given by Amphenol Corp. The furnishing of these drawings, specifications, or other data by Amphenol Corp., or to any other person to anyone for any purpose is not to be regarded by implication or otherwise in any manner licensing, granting rights or permitting such holder or any other person to manufacture, use or sell any product, process or design, patented or otherwise, that may in any way be related to or disclosed by said drawings, specifications, or other data. | CAD FILE I:\BNC\31-10-RFX | CODE ID 74868 | DWG SIZE B | DRAWING NO. 31-10-RFX | REV F |