



## 16-Dimensional Drawings

[Download DWF Files](#) (Login To Download All Files Types)

Standard Features			
<b>10093132 00</b> M4x20 Stainless steel captive combo head lid screws.			
<b>10082003 00</b> Removable 3.3mm Neoprene Gasket for unpainted enclosures (14" length). Non-Removable Polyurethane gasket for painted version.			
Accessories			
<b>10011031 00</b> Mounting Plates.			
<b>10061041 00</b> Terminal Rail (TS 15).			
<b>10061471 00</b> Terminal Rail (TS 35).			
<b>04000100 00</b> External Mounting Brackets.			
<b>04000010 85</b> Unpainted External Hinges.			
<b>04000010 00</b> Painted External Hinges.			
<b>10082013 00</b> 3.3mm Silicone gasket.			
<b>10082022 00</b> 3mm RFI gasket.			
Cable Grips			
PG Size	Metric	A/B	C/D
7	-	5	3
9	16	4	2
11	-	3	2
13.5	20	2	1
16	-	2	1
21	25	-	-
29	32	-	-
36	40	-	-
42	50	-	-
48	63	-	-

Max. number of cable glands to DIN 50262.

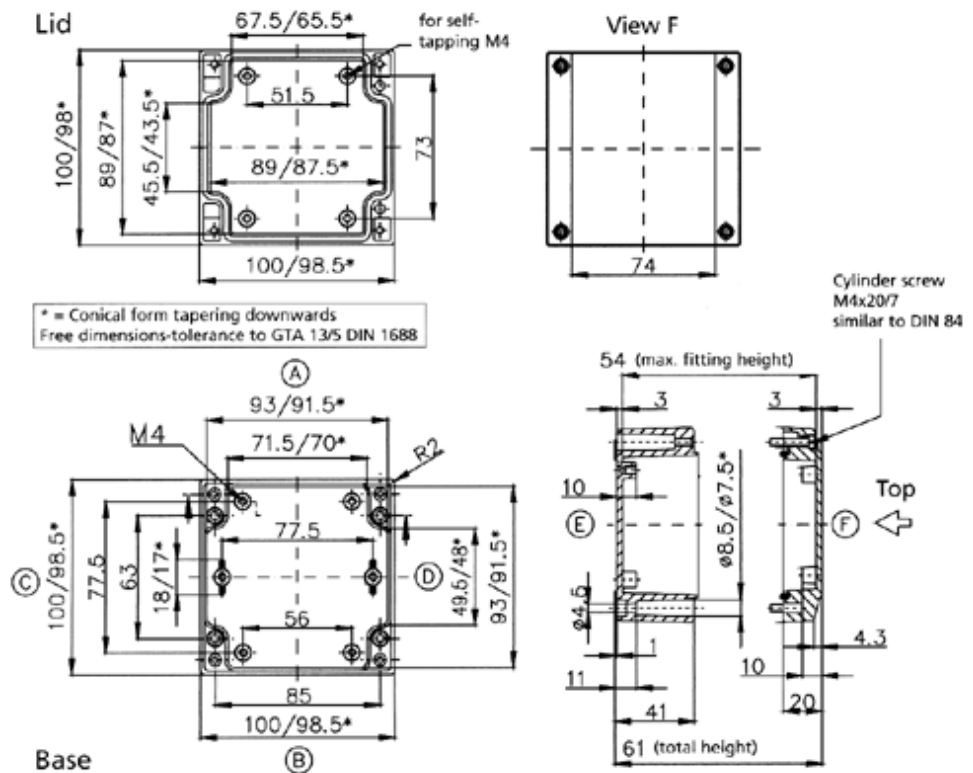
04101606 00/85

External Dimensions: L 160 x W 100 x H 61 mm

Page 1-7

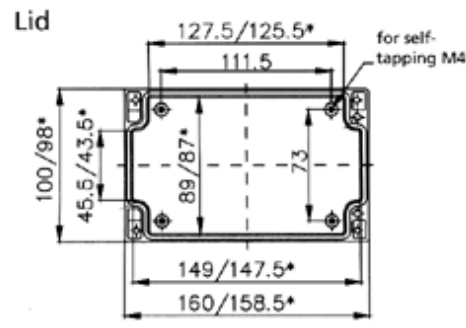
[Download DWF Files](#) (Login To Download All Files Types)

Standard Features			
<b>10093132 00</b> M4x20 Stainless steel captive combo head lid screws.			
<b>10082003 00</b> Removable 3.3mm Neoprene Gasket for unpainted enclosures (20" length). Non-Removable Polyurethane gasket for painted version.			
Accessories			
<b>10011032 00</b> Mounting Plates.			
<b>10061042 00</b> Terminal Rail (TS 15)			
<b>10061472 00</b> Terminal Rail (TS 35).			
<b>04000100 00</b> External Mounting Brackets			
<b>04000010 85</b> Unpainted External Hinges.			
<b>04000010 00</b> Painted External Hinges.			
<b>10082013 00</b> 3.3mm Silicone gasket.			
<b>10082022 00</b> 3mm RFI gasket.			

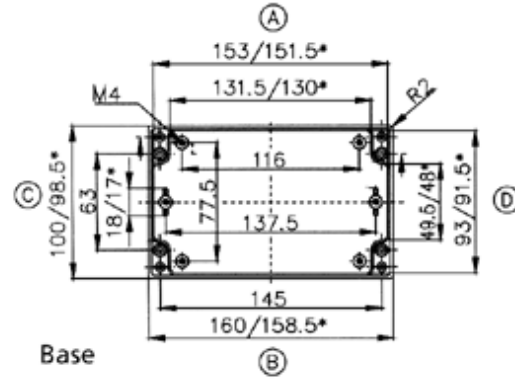
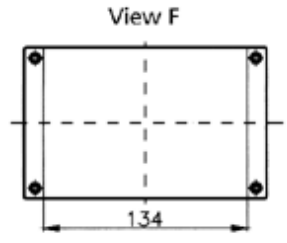


<div style="text-align: center;"> </div>			
Cable Grips			
PG Size	Metric	A/B	C/D
7	-	9	3
9	16	7	2
11	-	5	2
13.5	20	4	1
16	-	4	1
21	25	-	-
29	32	-	-
36	40	-	-
42	50	-	-
48	63	-	-

Max. number of cable glands to DIN 50262.



\* = Conical form tapering downwards  
Free dimensions-tolerance to GTA 13/5 DIN 1688



Base

