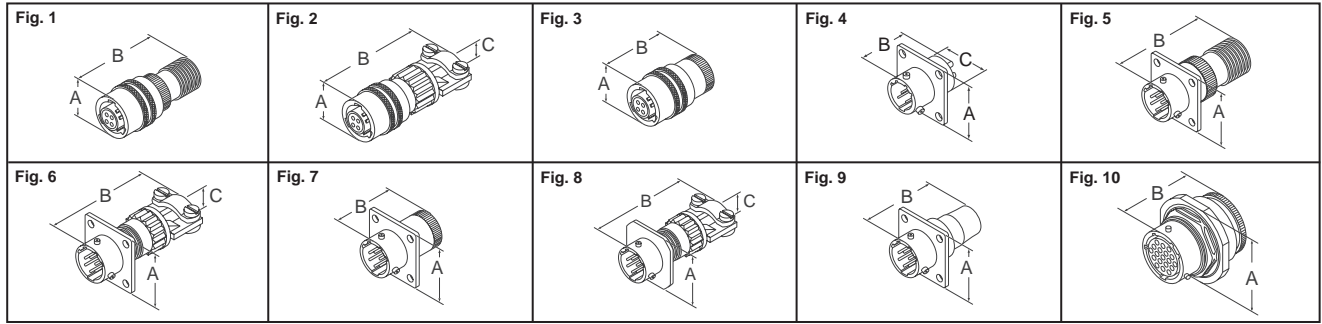


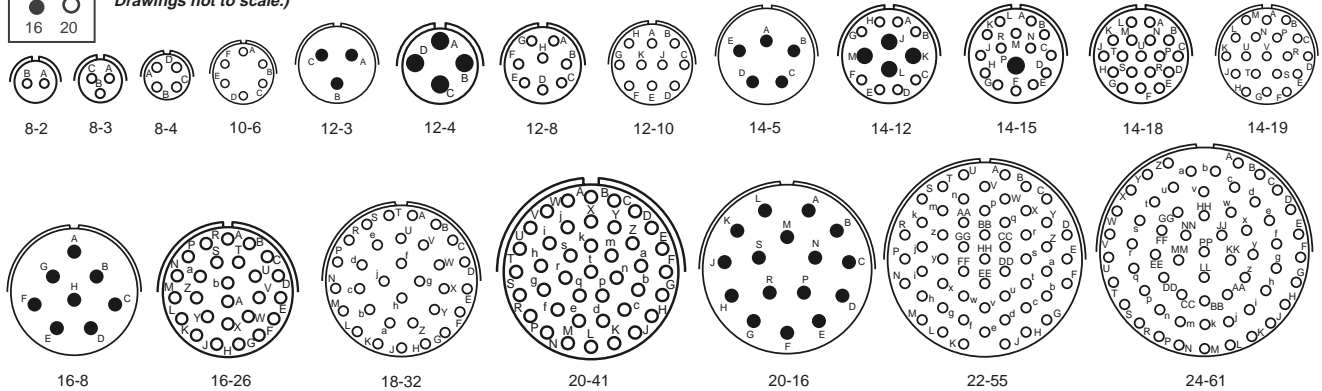
Amphenol® Circular Bayonet Lock Connectors

A



CONTACT LEGEND	
●	○
16	20

Insert Patterns (Front face of pin insert shown. Drawings not to scale.)



Aluminum shell components. Standard olive drab, electrically conductive cadmium plated. Dependable 5 key/keyway polarization with bayonet lock coupling assures positive mating. Spring tension provided by a wave washer in the coupling nut ensures maintenance of interfacial seal between mating halves. Insert and main joint gasket molded from resilient neoprene. **Solder contacts** are installed. Pins and sockets are copper alloy/gold plated. **Strain relief** is included on plug.

PT solder series is UL recognized under file #E115497, Section 5

PT with Solder Contacts (MIL-C-26482 Series 1 Type)

Fig.	Shell Size Insert Arrangement No.	No. of Contacts/ Size	Description	Dim. in inches			Digi-Key Part No.	Price Each	
				A	B	C		1	10
2	8-2	2/20	Plug w/sockets	.750	1.906	.125	PT06A-8-2S(SR)-ND*	21.71	14.17
4			Recept. w/pins	.812	.825	.449	PT02A-8-2P-ND	10.88	7.62
2	8-3	3/20	Plug w/sockets	.750	1.906	.125	PT06A-8-3S(SR)-ND*	22.75	14.85
2			Plug w/pins	.750	1.906	.125	PT06E-8-3S(SR)-ND*	23.40	14.98
4			Recept. w/sockets	.812	.825	.449	PT02A-8-3P-ND	12.18	8.53
4			Recept. w/pins	.812	.825	.449	PT02E-8-3P-ND	10.35	6.21
1	8-4	4/20	Plug w/sockets	.750	1.609	—	PT06A-8-4S-ND	16.30	11.41
2			Plug w/pins	.750	1.906	.125	PT06E-8-4P(SR)-ND*	15.23	10.66
2			Plug w/sockets	.750	1.906	.125	PT06E-8-4S(SR)-ND*	23.72	15.18
2			Plug w/pins	.750	1.906	.125	PT06A-8-4P(SR)-ND*	20.35	13.29
2			Plug w/sockets	.750	1.266	—	PT06A-8-4S(SR)-ND*	20.81	13.58
3			Plug w/pins	.750	1.266	—	PT06E-8-4S-ND	17.24	11.26
4			Recept. w/pins	.812	.825	.449	PT02A8-4P-ND	10.50	6.30
4			Recept. w/sockets	.812	.825	.449	PT02A8-4S-ND	10.23	7.16
4	14-12	8/#20, 4/#16	Recept. w/pins	.812	.825	.449	PT02E-8-4P-ND	10.18	7.13
4			Recept. w/sockets	.812	.825	.449	PT02E-8-4S-ND	10.86	6.52
2	10-6	6/20	Plug w/pins	.869	1.906	.188	PT06E10-6P(SR)-ND*	16.43	11.50
2			Plug w/sockets	.869	1.906	.188	PT06E10-6S(SR)-ND*	26.80	17.15
2			Plug w/pins	.859	1.906	.188	PT06A-10-6P(SR)-ND*	20.57	13.43
2			Plug w/sockets	.859	1.906	.188	PT06A-10-6S(SR)-ND*	23.96	15.34
4			Recept. w/pins	.938	.825	.573	PT02A10-6P-ND	10.13	7.09
4			Recept. w/sockets	.938	.825	.573	PT02A10-6S-ND	11.30	7.91
4			Recept. w/pins	.938	.825	.573	PT02E-10-6P-ND	11.73	8.21
4			Recept. w/sockets	.938	.825	.573	PT02E-10-6S-ND	13.40	9.38
5	12-3	3/16	Recept. w/pins	.938	1.553	—	PT06A-12-3P(SR)-ND*	19.95	13.02
7			Recept. w/pins	.938	1.266	—	PT06E-10-6P-ND	22.63	14.78
8	Recept. w/pins	.938	1.922	.188	PT01A-10-6P(SR)-ND*	19.76	12.90		
1	12-4	4/16	Plug w/sockets	1.013	1.609	—	PT06A-12-3S-ND	15.28	10.70
2			Plug w/pins	1.013	1.906	.312	PT06E12-3P(SR)-ND*	17.27	11.27
2			Plug w/sockets	1.013	1.906	.312	PT06E12-3S(SR)-ND*	18.48	12.06
2			Plug w/pins	1.013	1.906	.312	PT06A-12-3P(SR)-ND*	21.09	13.77
2			Plug w/sockets	1.013	1.906	.312	PT06A-12-3S(SR)-ND*	21.71	14.17
4			Recept. w/pins	1.031	.825	.699	PT02A12-3P-ND	9.45	5.67
4			Recept. w/sockets	1.031	.825	.699	PT02A12-3S-ND	16.38	11.47
4			Recept. w/pins	1.031	.825	.699	PT02E-12-3P-ND	10.62	6.38
2	12-8	8/20	Plug w/pins	1.013	1.906	.312	PT06A-12-4P(SR)-ND*	23.49	15.04
2			Recept. w/sockets	1.031	.825	.699	PT02E-12-4S-ND	16.78	11.75
1	12-8	8/20	Plug w/pins	1.013	1.609	—	PT06A-12-8P-ND	20.50	13.38
1			Plug w/sockets	1.013	1.609	—	PT06A-12-8S-ND	18.83	12.30
2			Plug w/pins	1.013	1.906	.312	PT06E-12-8P(SR)-ND*	23.32	15.23
2			Plug w/sockets	1.013	1.906	.312	PT06E-12-8S(SR)-ND*	27.18	17.40
4	12-10	10/20	Recept. w/pins	1.031	.825	.699	PT02E-12-8P-ND	11.23	7.86
2			Plug w/pins	1.013	1.906	.312	PT06E12-10P(SR)-ND*	18.93	12.36
2	Plug w/sockets	1.013	1.906	.312	PT06E12-10S(SR)-ND*	21.85	14.26		

* (SR) at end of part number designates that a strain relief is included

Fig.	Shell Size Insert Arrangement No.	No. of Contacts/ Size	Description	Dim. in Inches			Digi-Key Part No.	Price Each	
				A	B	C		1	10
2	12-10	10/20	Plug w/pins	1.013	1.906	.312	PT06A-12-10P(SR)-ND*	17.00	11.90
2			Plug w/sockets	1.013	1.906	.312	PT06A-12-10S(SR)-ND*	19.02	12.42
4			Recept. w/pins	1.031	.825	.699	PT02A12-10P-ND	15.98	11.19
4			Recept. w/sockets	1.031	.825	.699	PT02A12-10S-ND	14.53	10.17
4	14-5	5/16	Recept. w/pins	1.031	.825	.699	PT02E-12-10P-ND	11.68	8.18
4			Recept. w/sockets	1.031	.825	.699	PT02E-12-10S-ND	12.73	8.91
2			Plug w/pins	1.156	1.906	.375	PT06E14-5P(SR)-ND*	25.79	16.51
2			Plug w/sockets	1.156	1.906	.375	PT06E14-5S(SR)-ND*	23.00	14.72
2	14-12	8/#20, 4/#16	Plug w/pins	1.156	1.906	.375	PT06A-14-5S(SR)-ND*	25.43	16.28
2			Plug w/sockets	1.125	.825	.823	PT02A14-5P-ND	12.63	8.84
4			Recept. w/pins	1.125	.825	.823	PT02A14-5S-ND	18.88	12.33
4			Recept. w/sockets	1.125	.825	.823	PT02E-14-5P-ND	11.25	7.88
2	14-15	14/#20, 1/#16	Plug w/pins	1.156	1.906	.375	PT06A-14-12P(SR)-ND*	18.03	11.77
2			Plug w/sockets	1.156	1.906	.375	PT06E-14-12S(SR)-ND*	22.71	14.82
4			Recept. w/pins	1.125	.825	.823	PT02E-14-12P-ND	11.53	8.07
4			Recept. w/sockets	1.125	.825	.823	PT02E-14-12S-ND	19.40	12.67
4	14-18	18/20	Recept. w/pins	1.125	.825	.823	PT02A-14-12S-ND	17.60	11.49
1			Plug w/pins	1.156	1.609	—	PT06A-14-18P-ND	17.18	12.03
2			Plug w/sockets	1.156	1.906	.375	PT06E-14-18S(SR)-ND*	27.83	17.82
4			Recept. w/pins	1.125	.825	.823	PT02A-14-18P-ND	15.50	10.85
4	Recept. w/sockets	1.125	.825	.823	PT02E-14-18S-ND	16.79	10.96		
2	14-19	19/20	Plug w/pins	1.156	1.906	.375	PT06E14-19P(SR)-ND*	21.28	13.89
2			Plug w/sockets	1.156	1.906	.375	PT06E14-19S(SR)-ND*	23.74	15.20
4			Recept. w/pins	1.156	1.906	.375	PT02A14-19P-ND	25.27	16.18
4			Recept. w/sockets	1.125	.825	.823	PT02A14-19S-ND	15.68	10.98
2	16-8	8/16	Plug w/pins	1.281	2.047	.500	PT06E16-8P(SR)-ND*	17.08	11.96
2			Plug w/sockets	1.281	2.047	.500	PT06E16-8S(SR)-ND*	32.49	20.80
2			Recept. w/pins	1.219	.825	.949	PT06E16-8S(SR)-ND*	31.76	22.24
4			Recept. w/sockets	1.219	.825	.949	PT02A16-8S-ND	13.23	9.26
4	16-26	26/20	Recept. w/pins	1.219	.825	.949	PT02A16-8S-ND	15.73	11.01
4			Recept. w/sockets	1.219	.825	.949	PT02A-16-26P-ND	18.38	12.00
2			Plug w/pins	1.531	2.250	.625	PT06E20-16P(SR)-ND*	40.22	28.16
2			Plug w/sockets	1.531	2.250	.625	PT06E20-16S(SR)-ND*	40.62	28.44
4	20-16	16/16	Recept. w/pins	1.438	1.076	1.199	PT02A20-16P-ND	25.16	16.10
4			Recept. w/sockets	1.438	1.076	1.199	PT02A20-16S-ND	32.68	22.88
2	22-55	55/20	Plug w/pins	1.656	2.250	.750	PT06E22-55P(SR)-ND*	50.38	35.27
2			Plug w/sockets	1.656	2.250	.750	PT06E22-55S(SR)-ND*	62.66	43.87
4			Recept. w/pins	1.562	1.076	1.323	PT02A22-55P-ND	31.20	21.84
4			Recept. w/sockets	1.562	1.076	1.323	PT02A22-55S-ND	35.44	24.81
1	24-61	61/20	Plug w/pins	1.776	1.750	—	PT06A-24-61P-ND	45.34	31.74
1			Plug w/sockets	1.776	1.750	—	PT06A-24-61S-ND	54.42	38.10

(Continued)

More Product Available Online: www.digikey.com