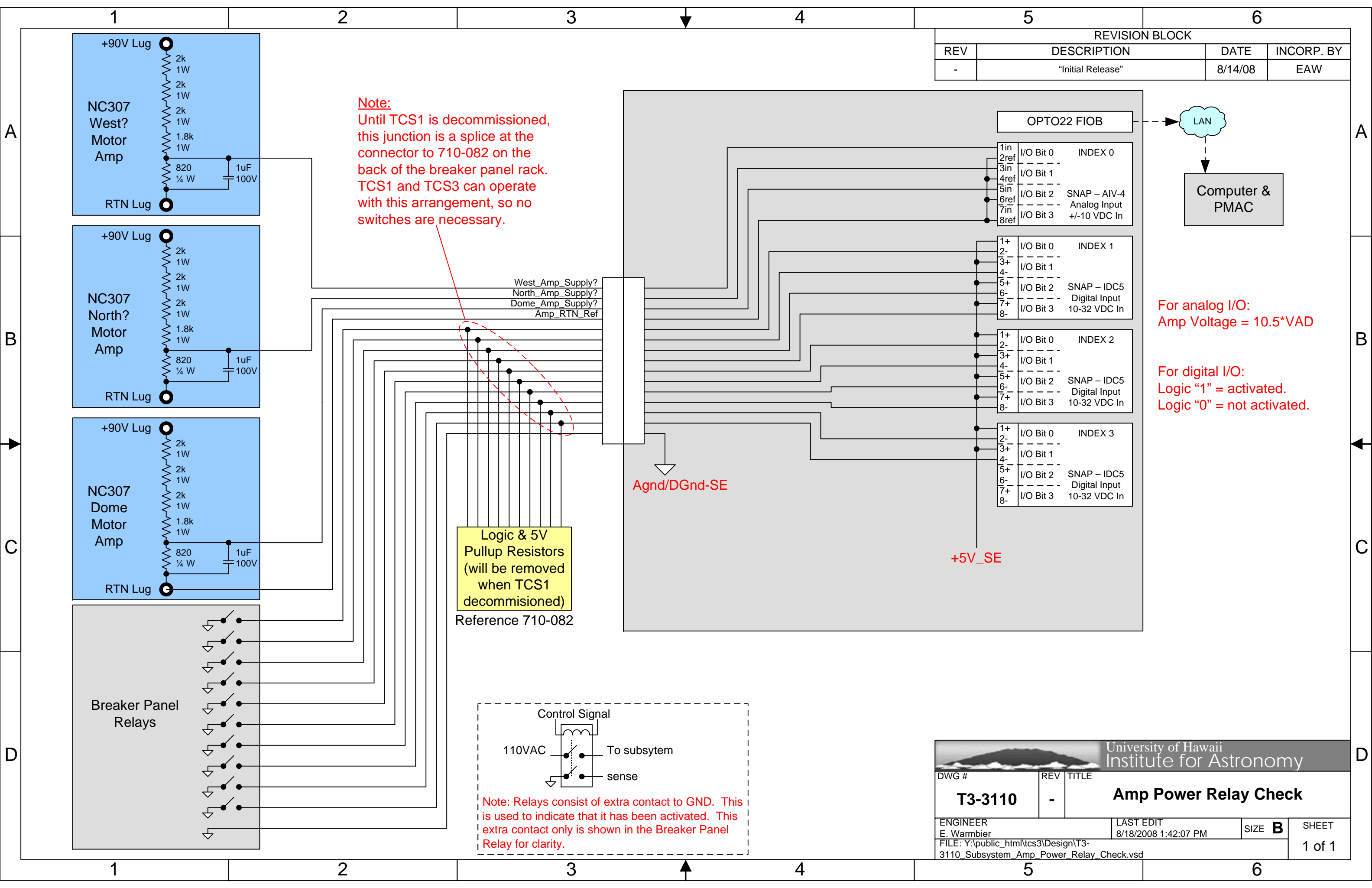


REVISION BLOCK			
REV	DESCRIPTION	DATE	INCORP. BY
-	"Initial Release"	8/14/08	EAW

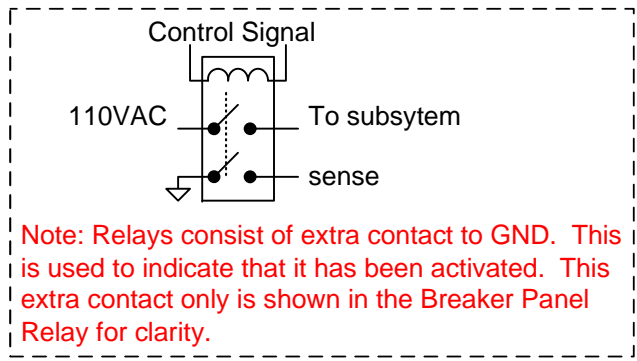


Note:
 Until TCS1 is decommissioned,
 this junction is a splice at the
 connector to 710-082 on the
 back of the breaker panel rack.
 TCS1 and TCS3 can operate
 with this arrangement, so no
 switches are necessary.

Logic & 5V
 Pullup Resistors
 (will be removed
 when TCS1
 decommissioned)
 Reference 710-082

For analog I/O:
 Amp Voltage = 10.5*VAD

For digital I/O:
 Logic "1" = activated.
 Logic "0" = not activated.



University of Hawaii Institute for Astronomy			
DWG #	REV	TITLE	
T3-3110	-	Amp Power Relay Check	
ENGINEER	LAST EDIT	SIZE	SHEET
E. Warmbier	8/18/2008 1:42:07 PM	B	1 of 1
FILE: Y:\public_html\tcs3\Design\T3-3110_Subsystem_Amp_Power_Relay_Check.vsd			