

The MCC2 provides the GUI Widgets to control the mirror support.

- 1) The air pressure is display as volts. At zenith the nominal voltage from the pressure gauge is 3.93 vdc.
- 2) The OK/Fault indicated.
- 3) Mirror Support OFF/ON toggle is used to command the mirror support OFF or ON.
- 4) Fault Acknowledge button. (to clear the OK/Fault indicator).

The Mirror.Support OFF/ON toggle executes the Mirror.Support command.

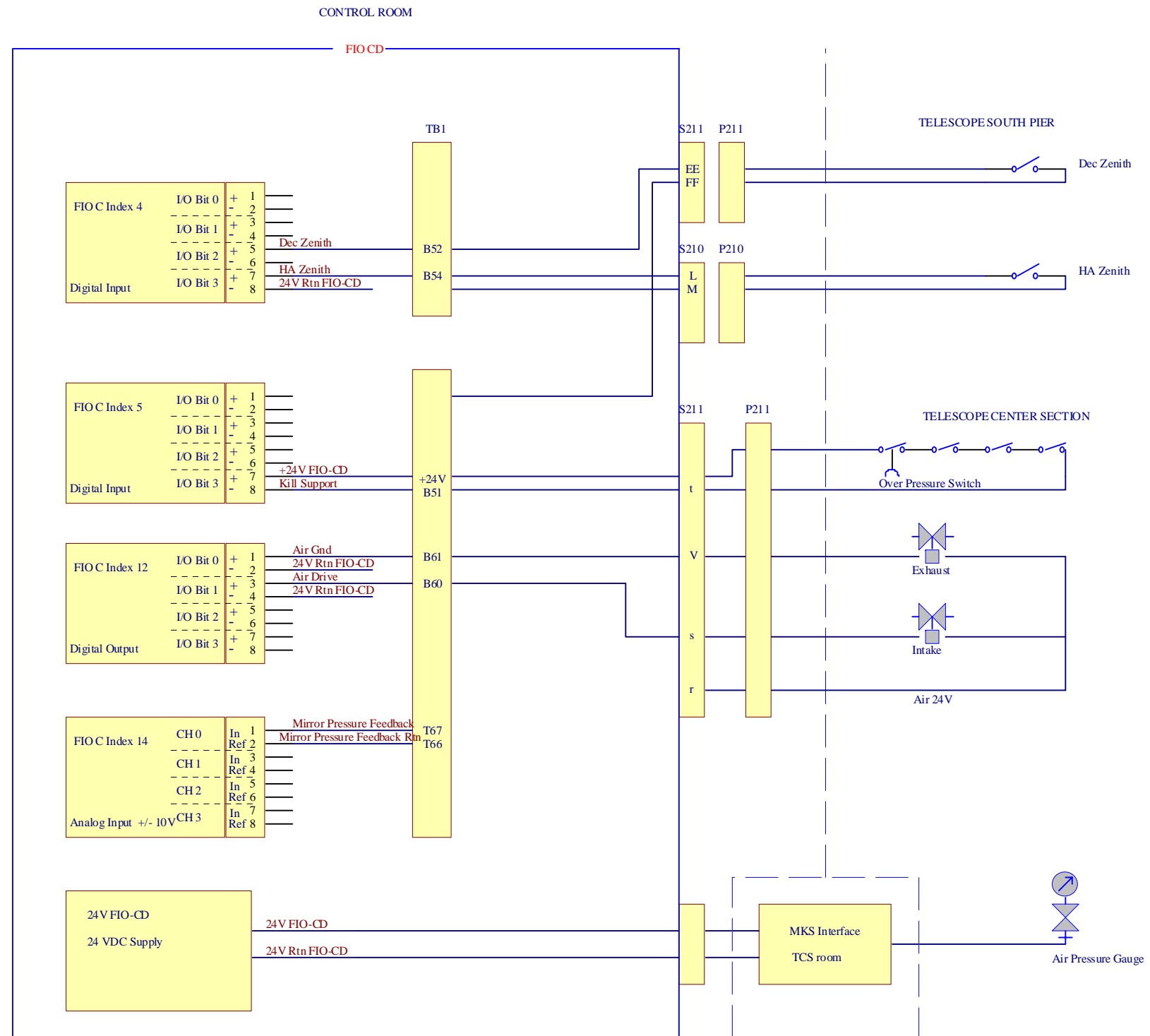
For ON,
 FIOC_DO_Air_Support_Drive is set to 1
 FIOC_DO_Air_Support_Gnd is set to 0

For OFF,
 FIOC_DO_Air_Support_Drive is set to 0
 FIOC_DO_Air_Support_Gnd is set to 1

If the FIOC_DO_Kill_Support input becomes 0, this indicates a hardware error. The OK/Fault indicator will display Fault (RED) and turn air support OFF.

Observatory personnel needs to clear the fault (bringing Kill_Support to 1), AND click the Fault Acknowledge button on the GUI to clear the Fault. Once cleared the mirror support can be turned on.

Mirror support control is perform by the fio_c software program, a child process of of TCS3 main.



Title			T3-3100-MIRROR_SUPPORT_OVERVIEW.SCHDOC
Size	Number	Revision	
B			
Date:	4/25/2008	Sheet of	
File:	H:\Documents and Settings\...T3-3100-MIRROR_SUPPORT_OVERVIEW.SCHDOC		