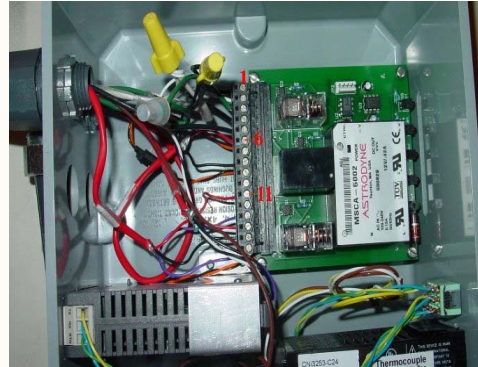
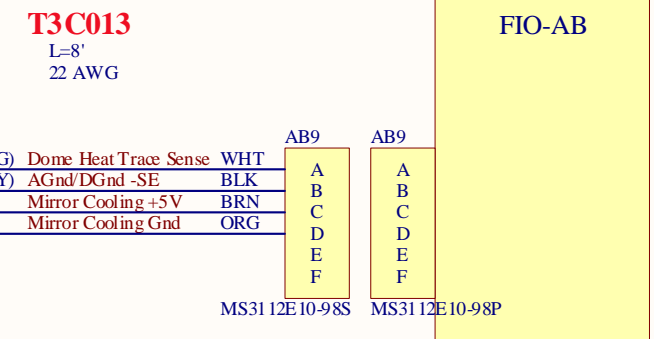


Cannot open file
D:\RTF\Connectors\JPGs of mil-spec connectors\10-6 Pin Mil-Spec _2.jpg

Jumper in heat trace plug



Johnson Controls Wiring
Johnson Controls Wiring

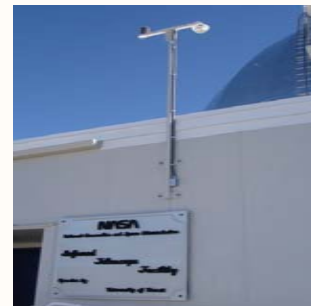
To Mirror Cooling Defrost Circuit Omega - Device

Cannot open file
D:\RTF\Connectors\JPGs of mil-spec connectors\10-9 8-6 Pin Mil-Spec.jpg

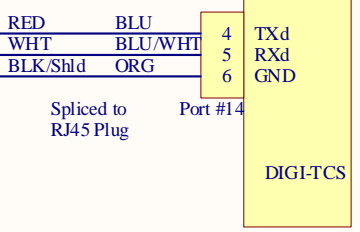
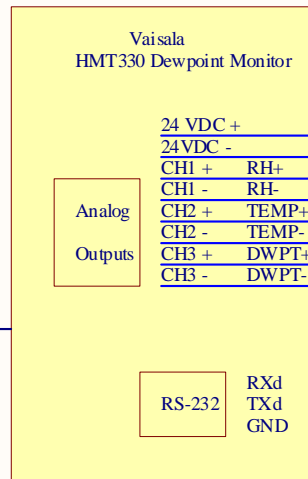


Cannot open file
D:\RTF\Connectors\JPGs of mil-spec connectors\12-8 Pin Mil-Spec_2.jpg

Temp
Rel Hum
Located on roof near front entrance



Sensors Hardwired L=10M



Title		
T3-2208_AB_Cables.Sch.Doc		
Size	Number	Revision
B		
Date:	4/25/2008	Sheet of
File:	H:\Documents and Settings\...\T3-2208_AB_Cables.Sch.Doc	