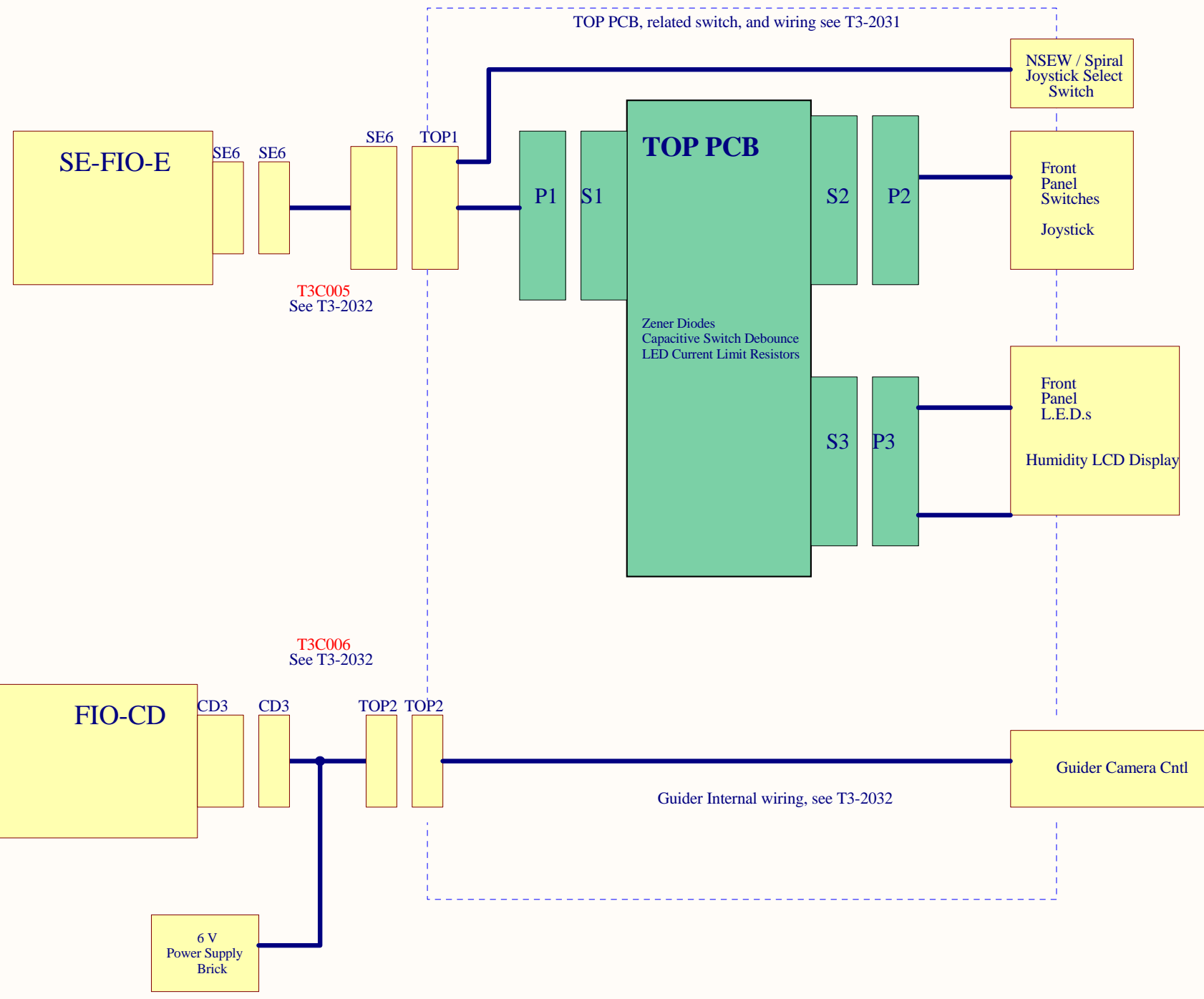
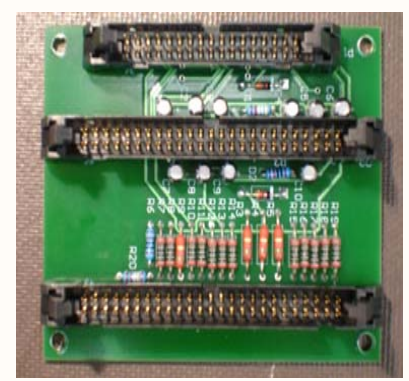


REVISION BLOCK			
REV	DESCRIPTION	DATE	INCORP. BY
-	Initial "Release"		
A	Added Joystick NSEW / Spiral Switch	6/8/2010	EAW

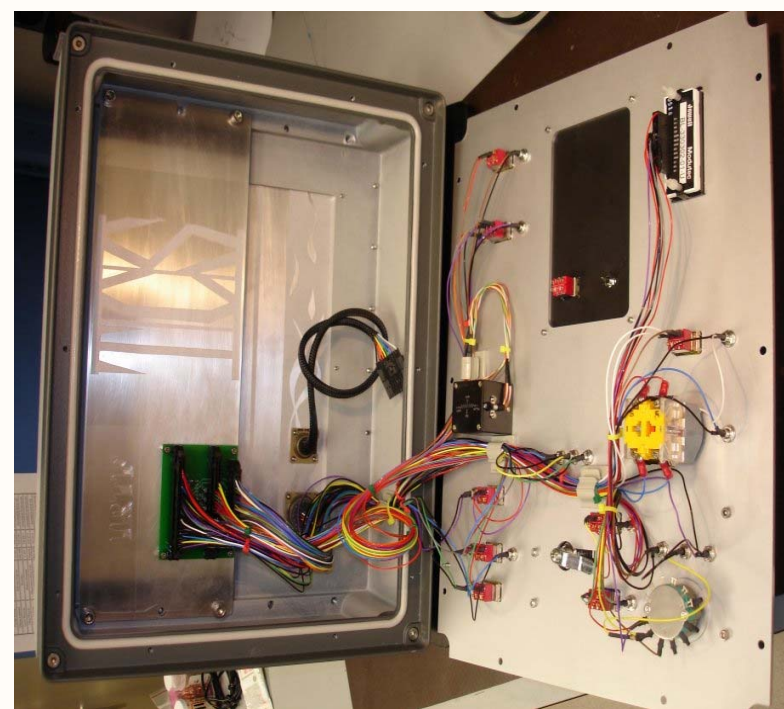
# TO Panel



**TO Panel Front View**



**TO Panel PCB Board**



**TO Panel Internal**



**TO Panel Back showing TOP1 and TOP2 connected**

DWG #	REV	TITLE	
<b>T3-2030</b>	<b>A</b>	<b>TO Panel Overview</b>	
ENGINEER	LAST EDIT	SIZE	SHEET
	6/8/2010 11:23:42 AM	<b>B</b>	1 of 1
FILE: Y:\public_html\tcs3\Design\T3-2030-TO_PANEL-Overview.SCHDOC			

REV A  
DWG # T3-2030