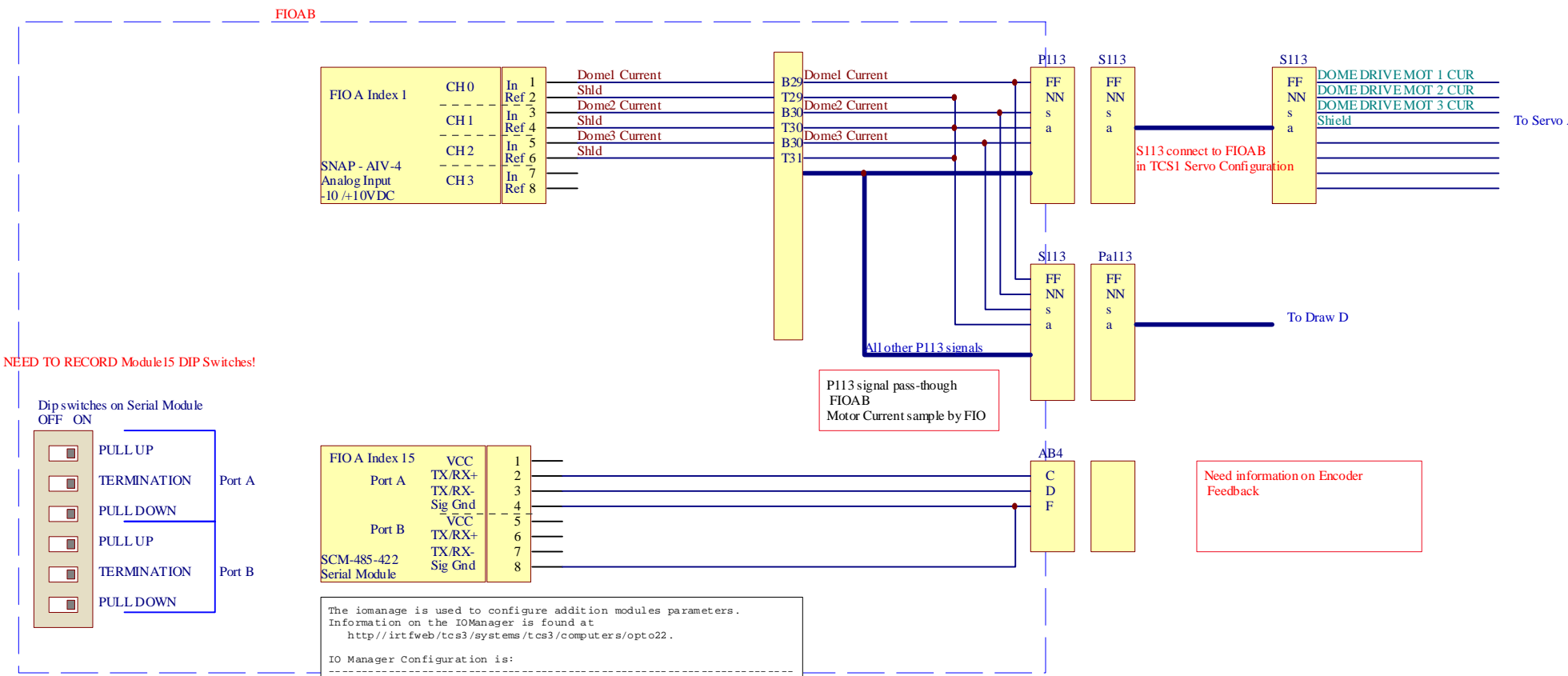
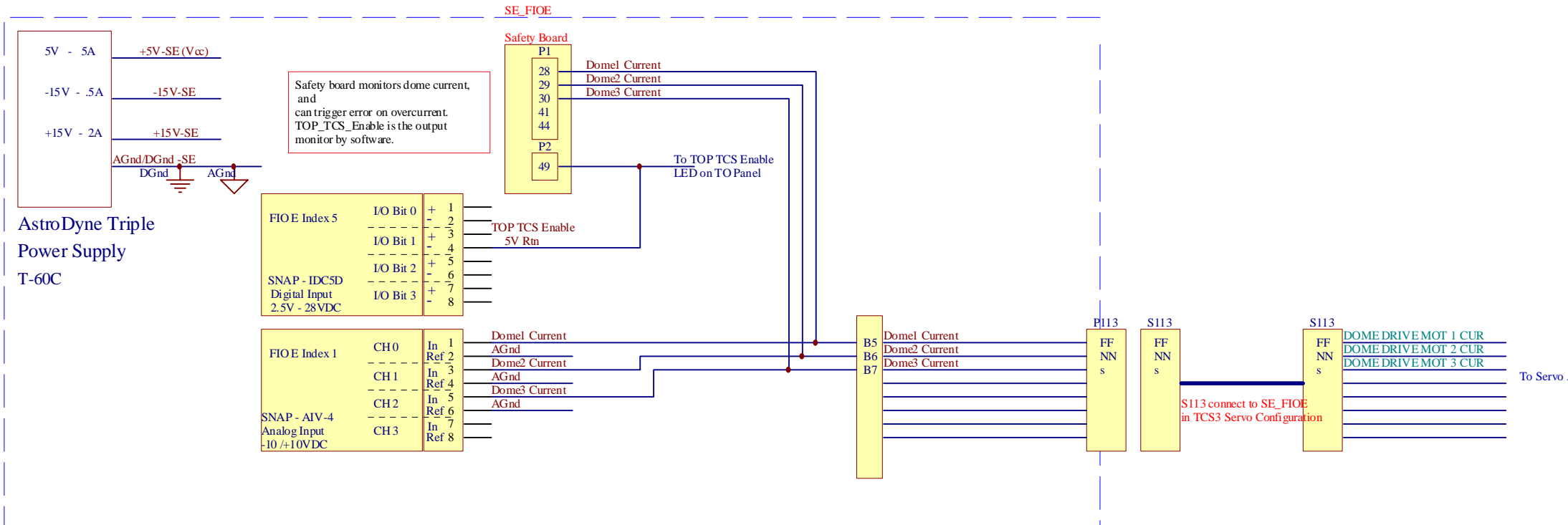
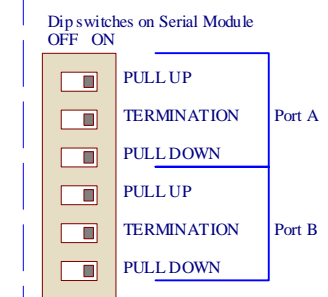


Schematic Reference	
FIOAB	T3-2010-FIOAB
SE_FIOE	T3-2060-SE_FIOE

Schematic Reference	



NEED TO RECORD Module15 DIP Switches!



Module	Port	IP_Port	Baud	Parity	Data	Stop	EOM_Chars		
Text_Msg	15	A	22530	9600	even	7	1	0D0A000	No
Disable	15	B	22531	9600	none	8	1	0D0A000	No

The iomanage is used to configure addition modules parameters. Information on the IOManager is found at <http://irtfweb/tcs3/systems/tcs3/computers/opto22>.

IO Manager Configuration is:

```

-
Module Port IP_Port Baud Parity Data Stop EOM_Chars
Text_Msg
ENABLE 15 A 22530 9600 even 7 1 0D0A000 No
Disable 15 B 22531 9600 none 8 1 0D0A000 No

```

Title		T3-3042-DOME_CONTROL-Feedback.SCHDOC	
Size	Number	Revision	
B			
Date:	4/25/2008	Sheet of	
File:	H:\Documents and Settings\...T3-3042-DOME_CONTROL-Feedback.SCHDOC		