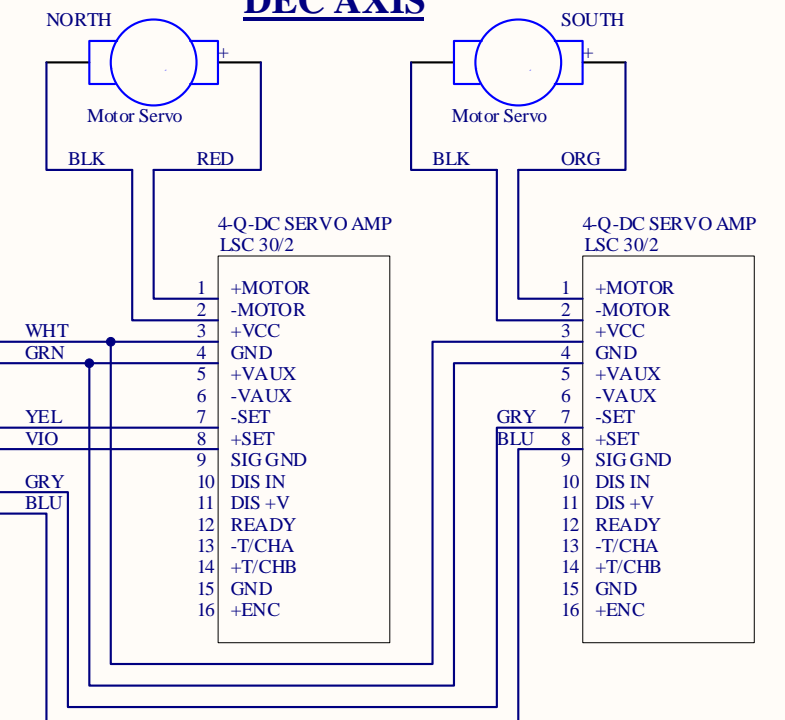
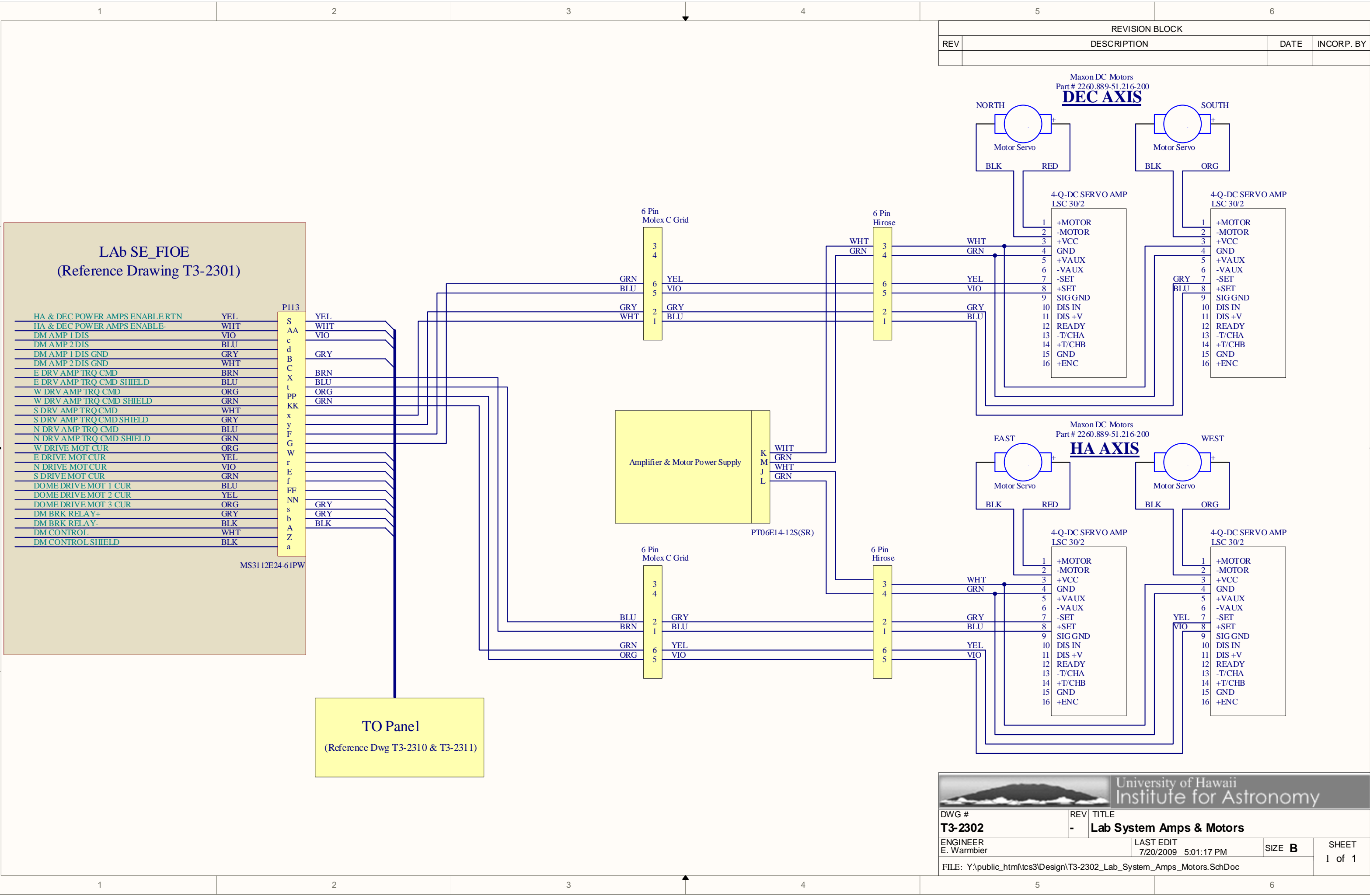
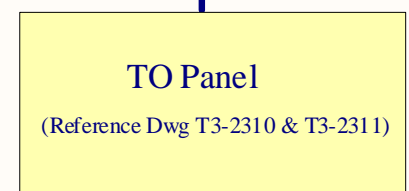
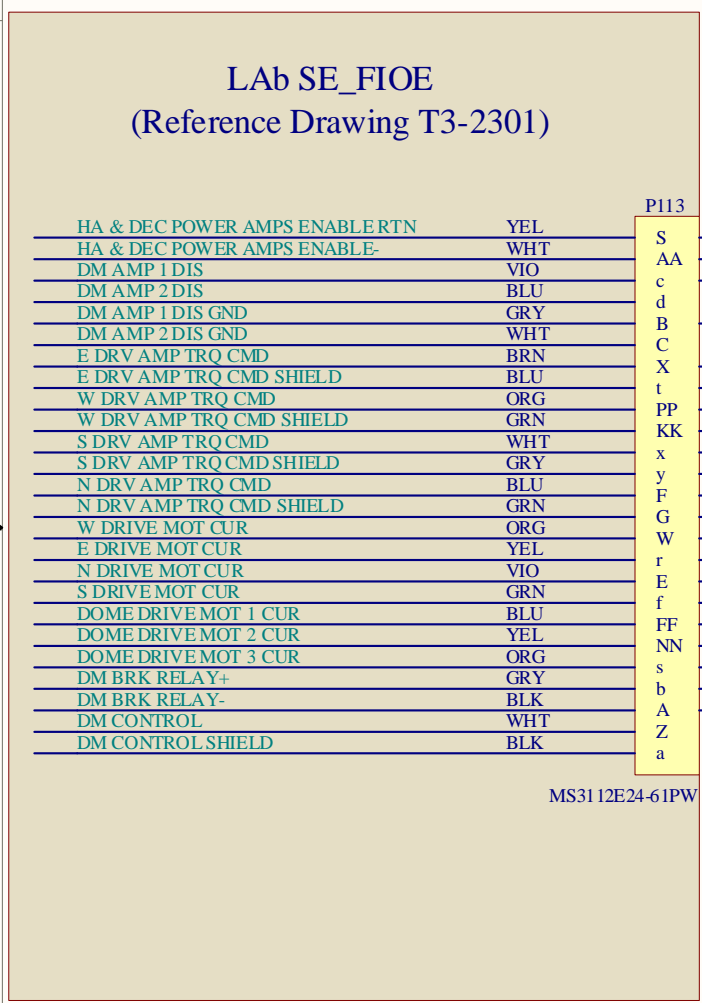
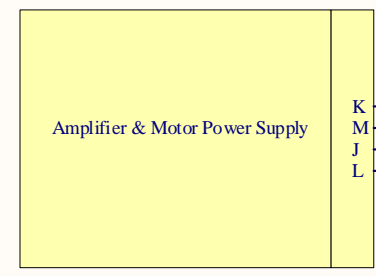
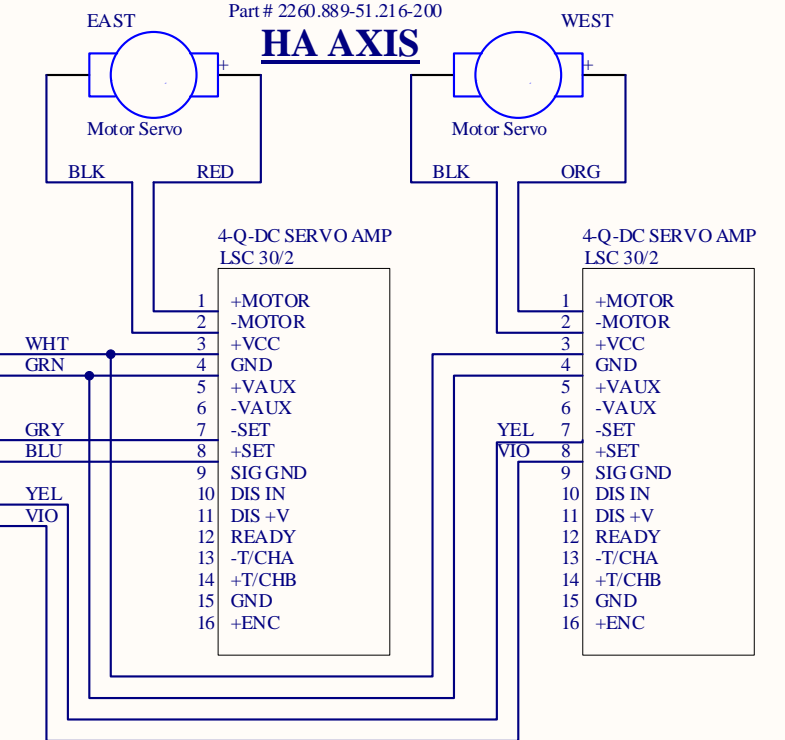


REVISION BLOCK			
REV	DESCRIPTION	DATE	INCORP. BY

Maxon DC Motors  
Part # 2260.889-51.216-200  
**DEC AXIS**



Maxon DC Motors  
Part # 2260.889-51.216-200  
**HA AXIS**



University of Hawaii  
Institute for Astronomy

DWG # <b>T3-2302</b>	REV -	TITLE <b>Lab System Amps &amp; Motors</b>	LAST EDIT 7/20/2009 5:01:17 PM	SIZE <b>B</b>	SHEET 1 of 1
-------------------------	----------	--	-----------------------------------	------------------	-----------------

FILE: Y:\public\_html\tcs3\Design\T3-2302\_Lab\_System\_Amps\_Motors.SchDoc