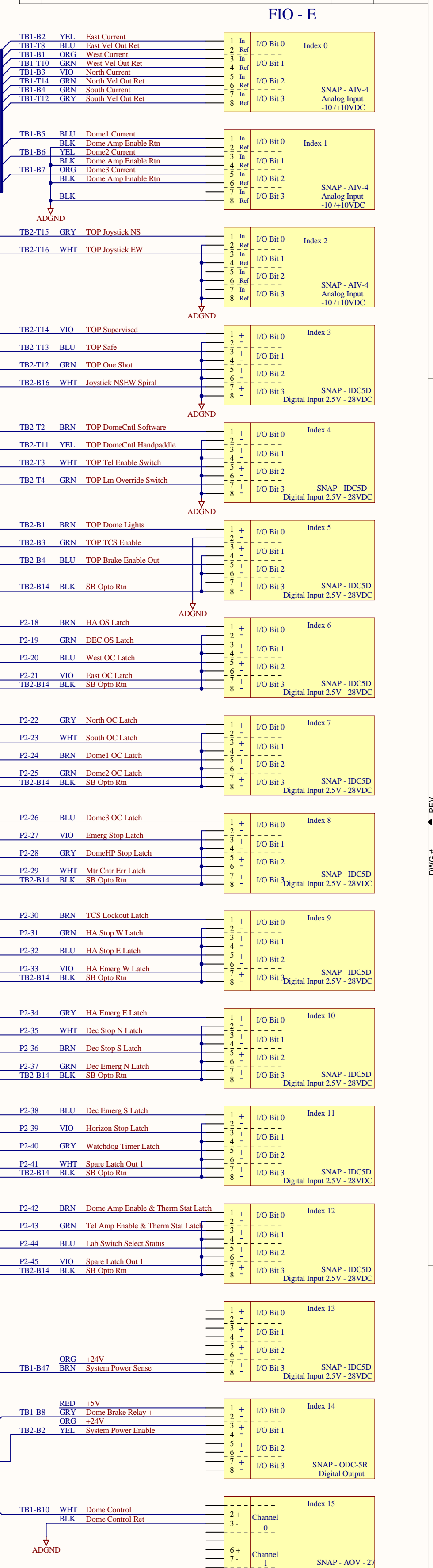
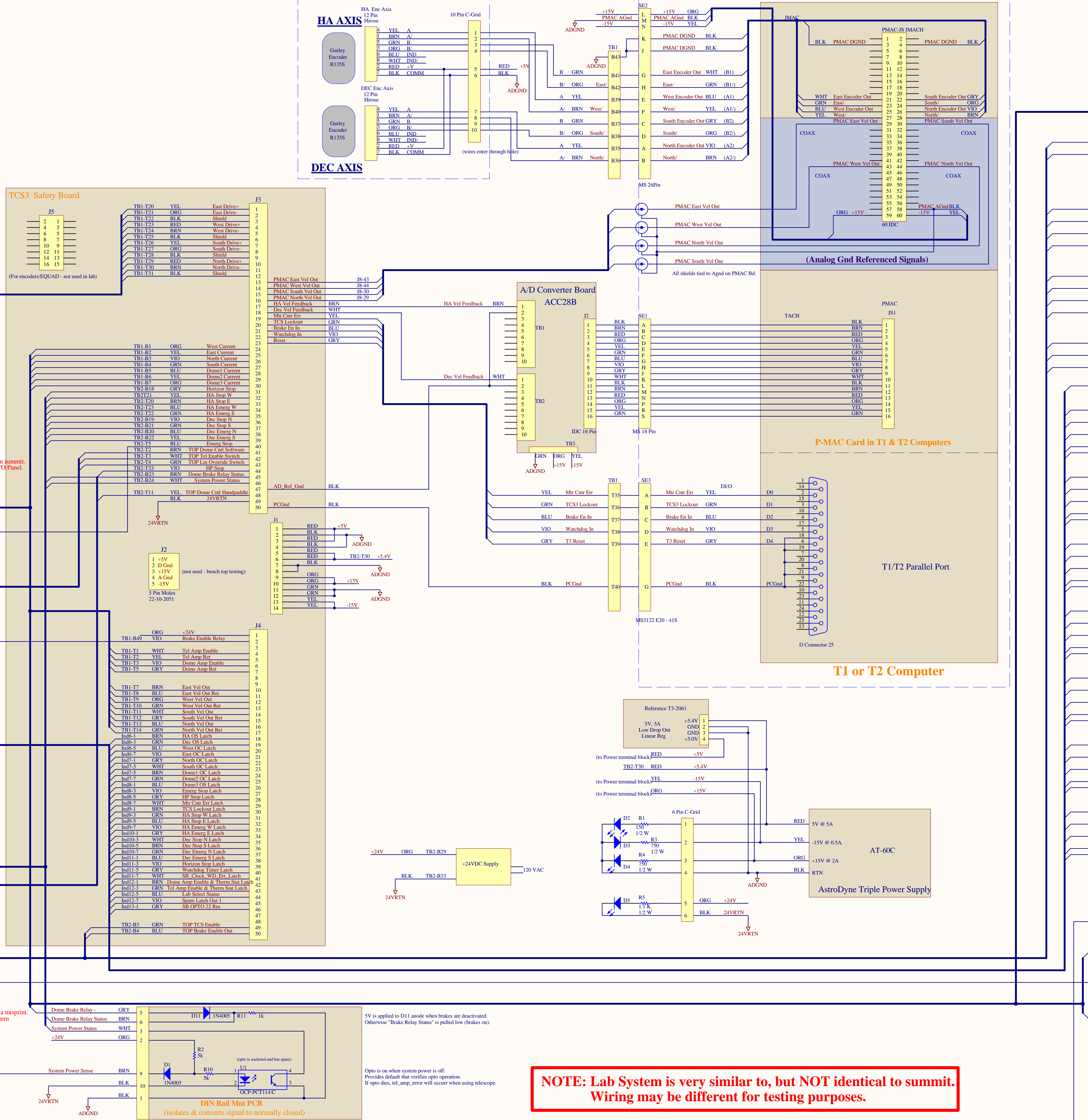
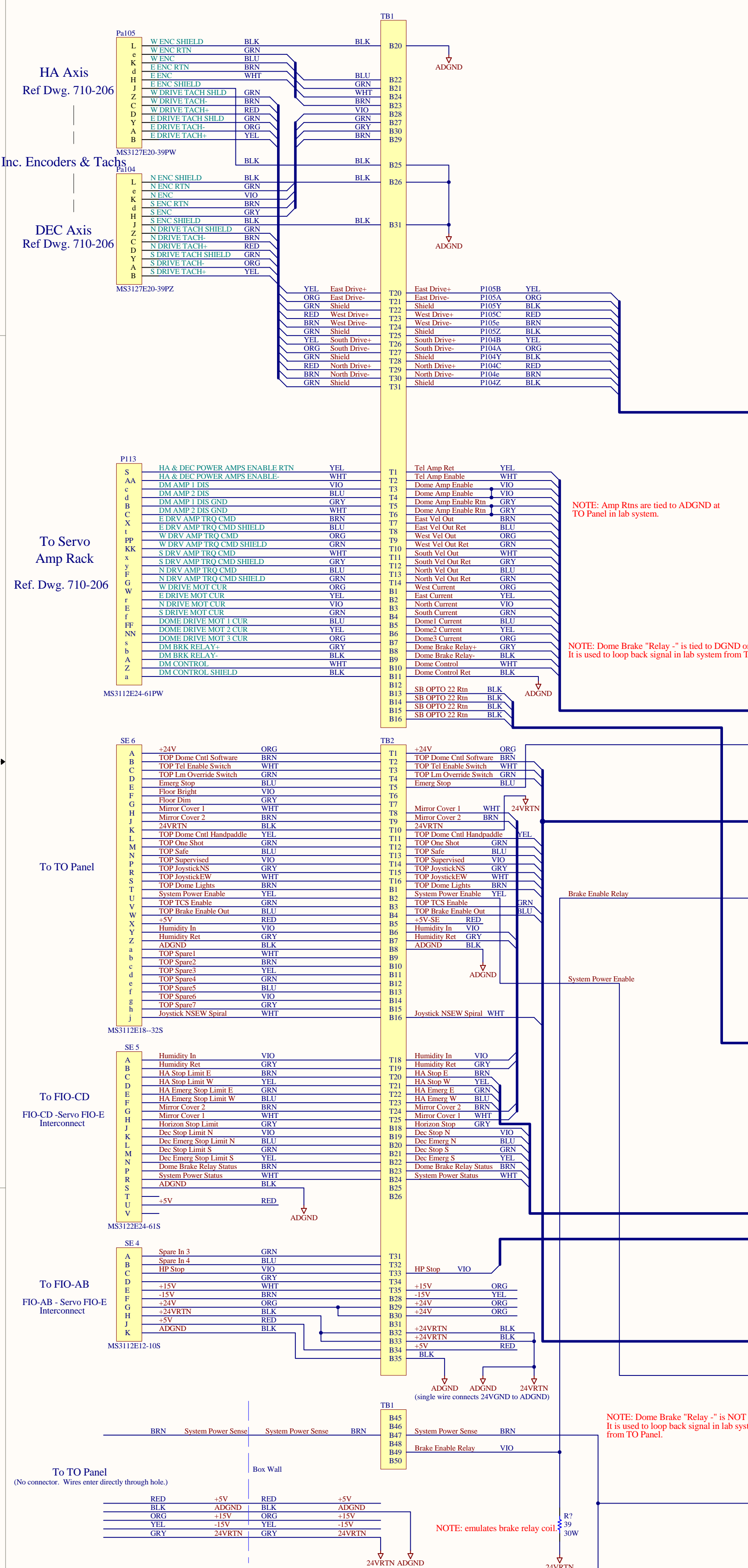


EXTERNAL to SE_FIOE

REV	DESCRIPTION	DATE	INCORP BY



NOTE: Amp Rtns are tied to ADGND at TO Panel in lab system.

NOTE: Dome Brake "Relay" is tied to DGND on summit. It is used to loop back signal in lab system from TO Panel.

NOTE: Dome Brake "Relay" is NOT a misprint. It is used to loop back signal in lab system from TO Panel.

NOTE: Lab System is very similar to, but NOT identical to summit. Wiring may be different for testing purposes.



5V is applied to D11 anode when brakes are deactivated. Otherwise "Brake Relay Status" is pulled low (brakes on).
Opto is on when system power is off.
Provides default that verifies opto operation.
If opto dies, tel_amp_err will occur when using telescope.