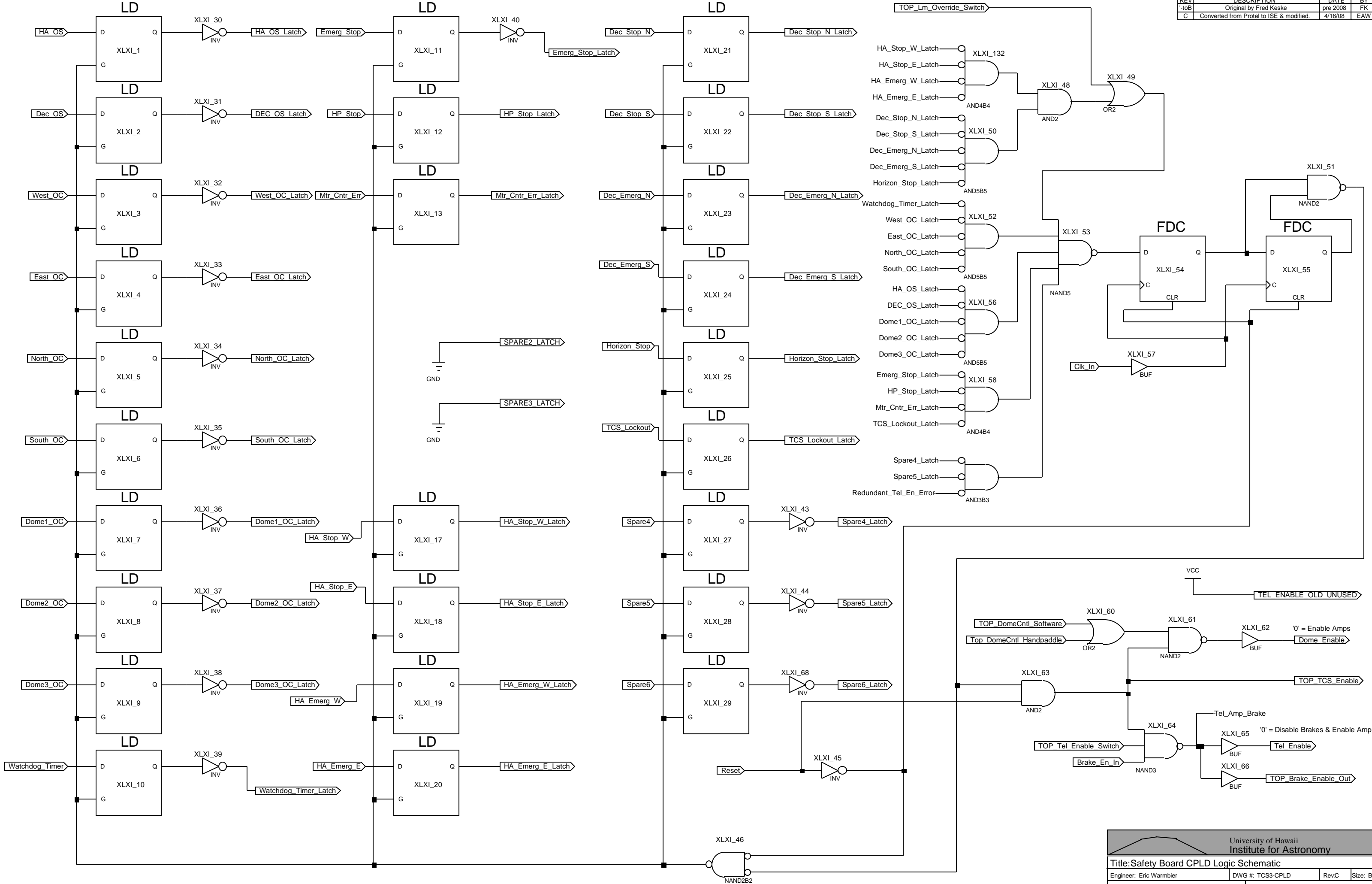
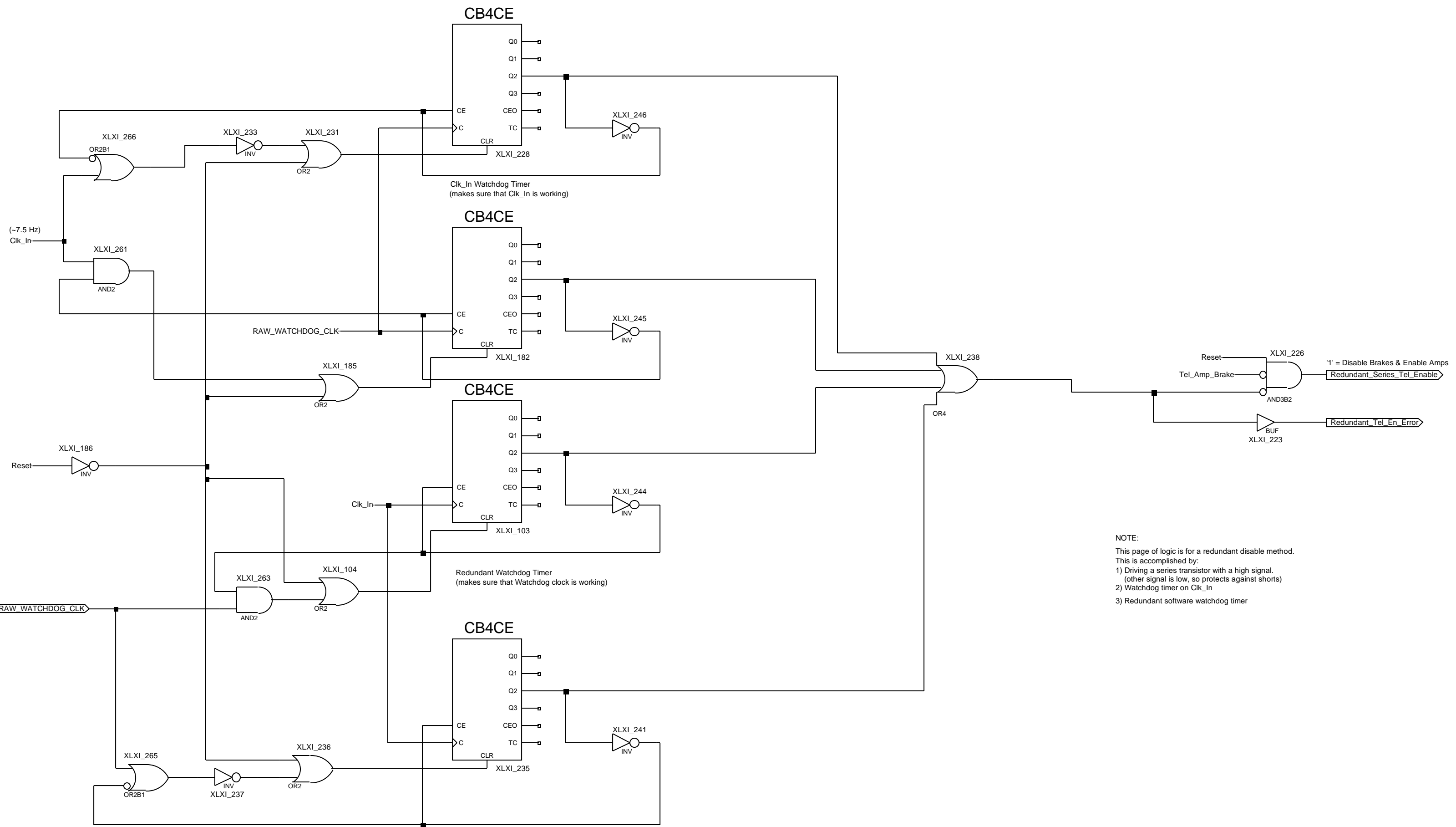


REV	DESCRIPTION	DATE	BY
-toB	Original by Fred Keske	pre 2008	FK
C	Converted from Protel to ISE & modified.	4/16/08	EAW



REV	DESCRIPTION	DATE	BY
-toB	Original by Fred Keske	pre 2008	FK
C	Converted from Protel to ISE & modified.	4/16/08	EAW



NOTE:
 This page of logic is for a redundant disable method.
 This is accomplished by:
 1) Driving a series transistor with a high signal.
 (other signal is low, so protects against shorts)
 2) Watchdog timer on Clk_In
 3) Redundant software watchdog timer