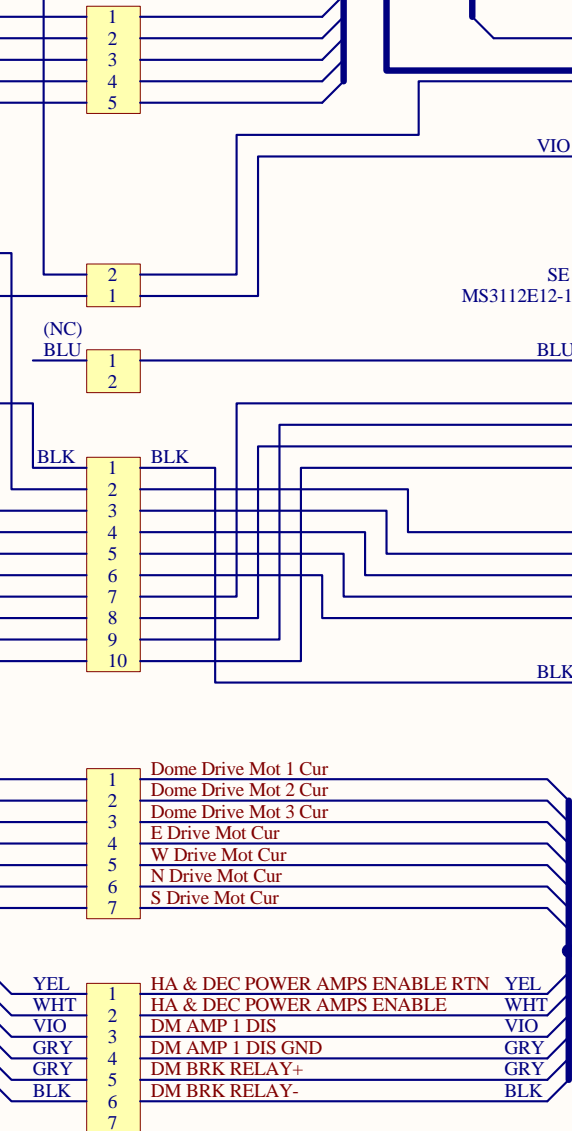
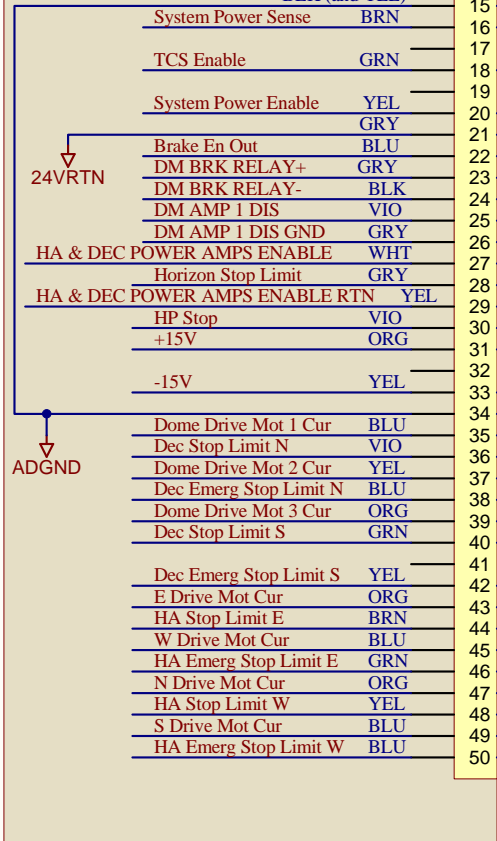


LAB TO PANEL
(with limit & test switches)
(see drawing T3-2310)

DomeCntl Locked	VIO	1
TOP Lm Override Switch	GRN	2
DomeCntl HandPaddle	YEL	3
Tel Enable Switch	YEL	4
DomeCntl Software	BRN	5
Top Safe	BLU	6
Emerg Stop	BLU	7
Top Unsafe	GRY	8
Joystick NSEW Spiral	WHT	9
TOP One Shot	GRN	10
Supervised	VIO	11
TOP JoystickNS	RED	12
TOP JoystickEW	RED	13
+5V	RED (and GRN)	14
	BLK (and YEL)	15
System Power Sense	BRN	16
TCS Enable	GRN	17
System Power Enable	YEL	19
Brake En Out	BLU	20
DM BRK RELAY+	GRY	21
DM BRK RELAY-	BLK	22
DM AMP 1 DIS	VIO	23
DM AMP 1 DIS GND	GRY	24
HA & DEC POWER AMPS ENABLE	WHT	26
Horizon Stop Limit	GRY	27
HA & DEC POWER AMPS ENABLE RTN	YEL	28
HP Stop	VIO	30
+15V	ORG	31
-15V	YEL	32
Dome Drive Mot 1 Cur	BLU	34
Dec Stop Limit N	VIO	35
Dome Drive Mot 2 Cur	YEL	36
Dec Emerg Stop Limit N	BLU	37
Dome Drive Mot 3 Cur	ORG	38
Dec Stop Limit S	GRN	39
Dec Emerg Stop Limit S	YEL	41
E Drive Mot Cur	ORG	42
HA Stop Limit E	BRN	43
W Drive Mot Cur	BLU	44
HA Emerg Stop Limit E	GRN	45
N Drive Mot Cur	ORG	46
HA Stop Limit W	YEL	47
S Drive Mot Cur	BLU	48
HA Emerg Stop Limit W	BLU	49
		50



A	+24V	ORG
B	TOP Dome Cntl Software	BRN
C	TOP Tel Enable Switch	WHT
D	TOP Lm Override Switch	GRN
E	Emerg Stop	BLU
F	Floor Bright	VIO
G	Floor Dim	GRY
H	Mirror Cover 1	WHT
I	Mirror Cover 2	BRN
J	24VRTN	BLK
K	TOP Dome Cntl Handpaddle	YEL
L	TOP One Shot	GRN
M	TOP Safe	BLU
N	TOP Supervised	VIO
P	TOP JoystickNS	GRY
R	TOP JoystickEW	WHT
S	TOP Dome Lights	BRN
T	System Power Enable	YEL
U	TOP TCS Enable	GRN
V	TOP Brake Enable Out	BLU
W	+5V-SE	RED
X	Humidity In	VIO
Y	Humidity Ret	GRY
Z	ADGND	BLK
a		
b		
c		
d		
e		
f	SE 6	
g	MS3112E18-32S	
h		
i		
j	Joystick NSEW Spiral	WHT

A	Spare In 3	GRN
B	Spare In 4	BLU
C	HP Stop	VIO
D		GRY
E	+15V	WHT
F	-15V	BRN
G	+24V	ORG
H	+24VRTN	BLK
I	+5V	RED
J	ADGND	BLK
K		

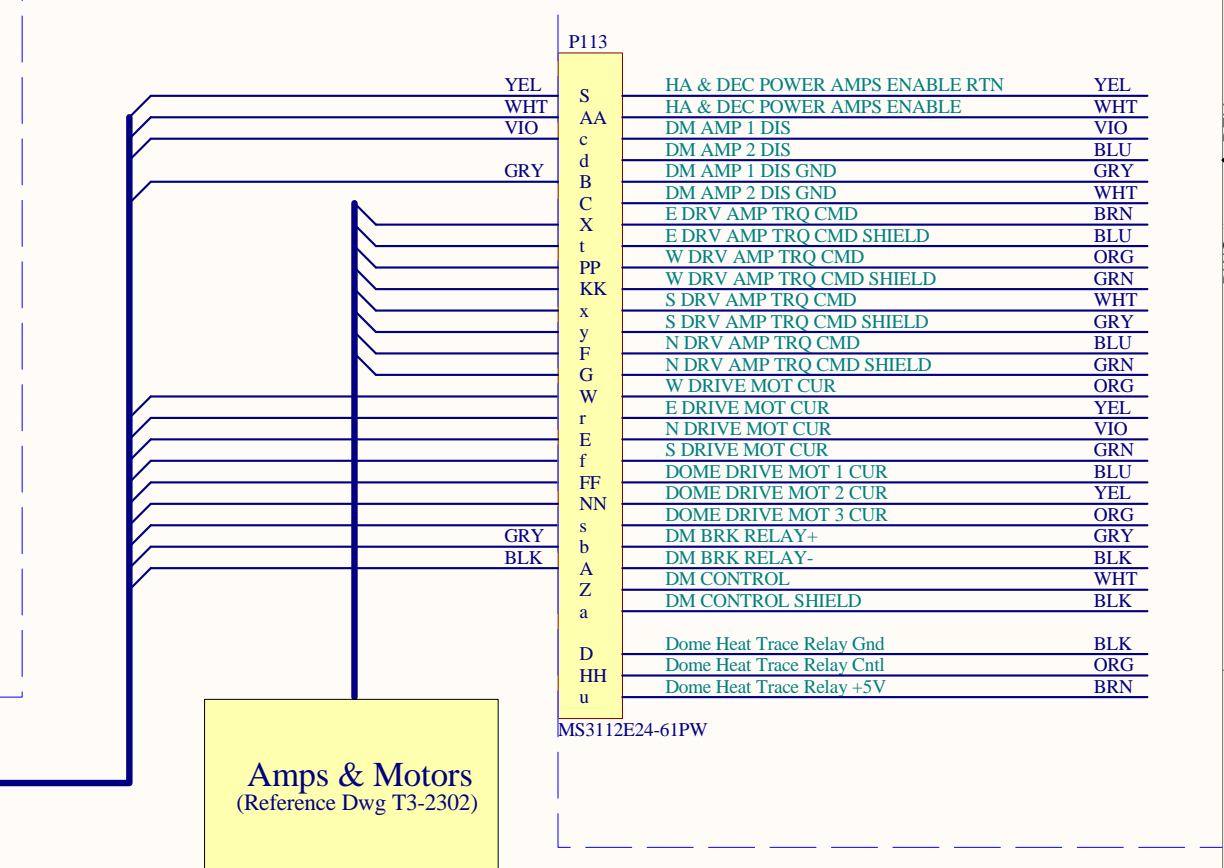
A	Humidity In	VIO
B	Humidity Ret	GRY
C	HA Stop Limit E	BRN
D	HA Stop Limit W	YEL
E	HA Emerg Stop Limit E	GRN
F	HA Emerg Stop Limit W	BLU
G	Mirror Cover 2	BRN
H	Mirror Cover 1	WHT
I	Horizon Stop Limit	GRY
J	Dec Stop Limit N	VIO
K	Dec Emerg Stop Limit N	BLU
L	Dec Stop Limit S	GRN
M	Dec Emerg Stop Limit S	YEL
N	Dome Brake Relay Status	BRN
P	System Power Status	WHT
R	ADGND	
S		
T	-NC +5V	
U	-NC	
V		

1	Dome Drive Mot 1 Cur	
2	Dome Drive Mot 2 Cur	
3	Dome Drive Mot 3 Cur	
4	E Drive Mot Cur	
5	W Drive Mot Cur	
6	N Drive Mot Cur	
7	S Drive Mot Cur	

1	HA & DEC POWER AMPS ENABLE RTN	YEL
2	HA & DEC POWER AMPS ENABLE	WHT
3	DM AMP 1 DIS	VIO
4	DM AMP 1 DIS GND	GRY
5	DM BRK RELAY+	GRY
6	DM BRK RELAY-	BLK
7		

REVISION BLOCK			
REV	DESCRIPTION	DATE	INCORP. BY
-	Initial "Release"		
A	Added Joystick NSEW Spiral Switch	6/22/10	EAW

LAB FIOE_SE BOX



Amps & Motors
(Reference Dwg T3-2302)

University of Hawaii
Institute for Astronomy

DWG #	REV	TITLE	LAST EDIT	SIZE	SHEET
T3-2311	A	Lab System TO Panel Cables	6/22/2010 1:27:01 PM	B	1 of 1
ENGINEER			FILE: Y:\public_html\tcs3\Design\T3-2311_Lab_System_TO_Panel_Cables.SchDoc		
E. Warmbier					