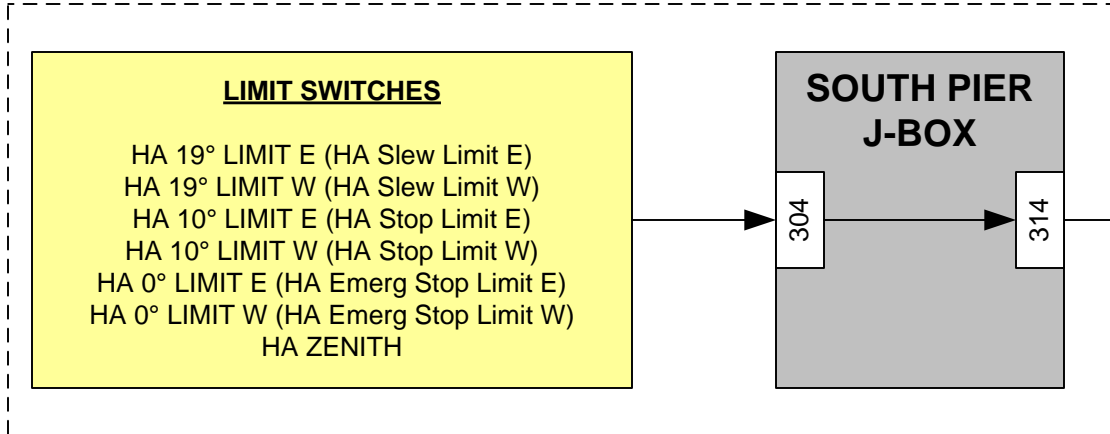


Reference 710-088 for Original Yoke Block Diagram
(most of this diagram was derived from it)

REVISION BLOCK			
REV	DESCRIPTION	DATE	INCORP. BY
-	Original "Release".	7/21/08	EAW

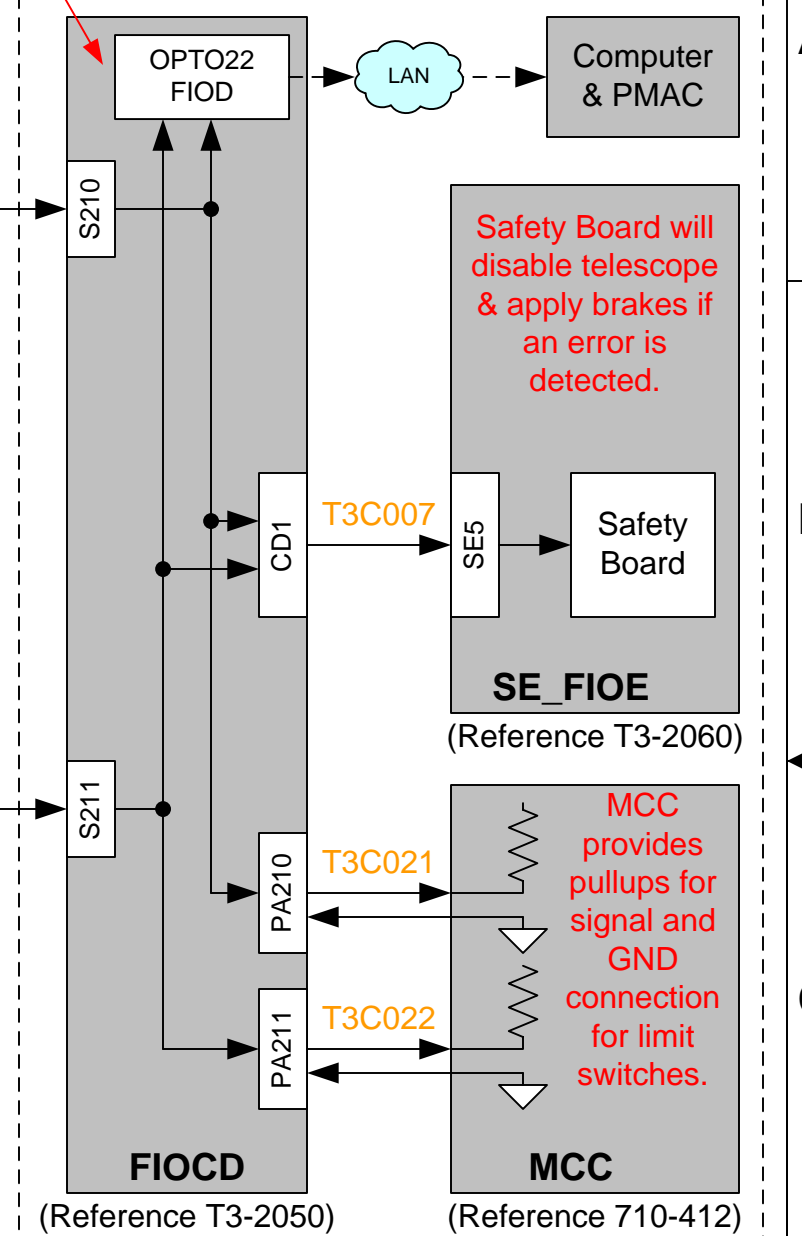
(Reference Original Drawing 710-442)



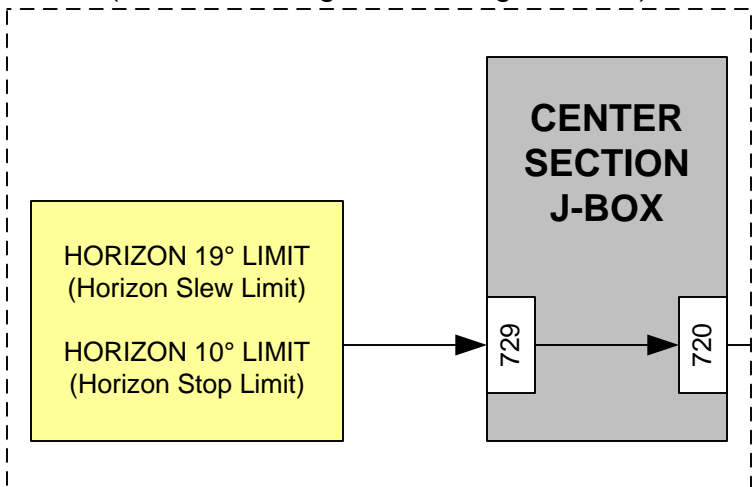
Limit Switches are NORMALLY CLOSED to GND.
(limit activation = open)

Zenith Switches are NORMALLY OPEN.
(limit activation = closed to GND)

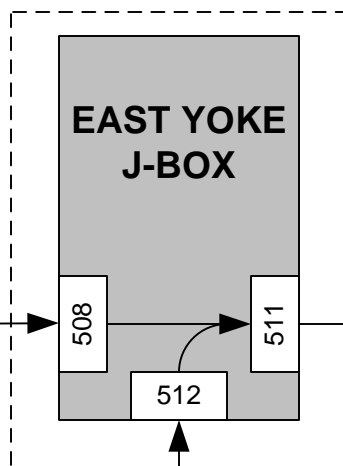
"0" at OPTO22 = OK. "1" = limit switch activated.



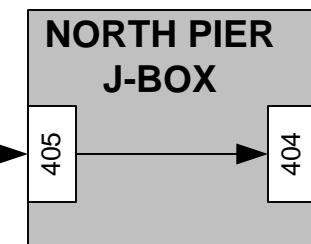
(Reference Original Drawing 710-445)



(Reference Original Drawing 710-451)



(Reference Original Drawing 710-426)



3. Limits & Telescope Range of Motion

Testing of Limits and Range of Motion done at the same time. We drove the tcs to the slew, stop, and brake limits and measured the location when the switch turn ON and OFF. West & East unit in hh:mm:ss, North/South units in deg:mm:ss.

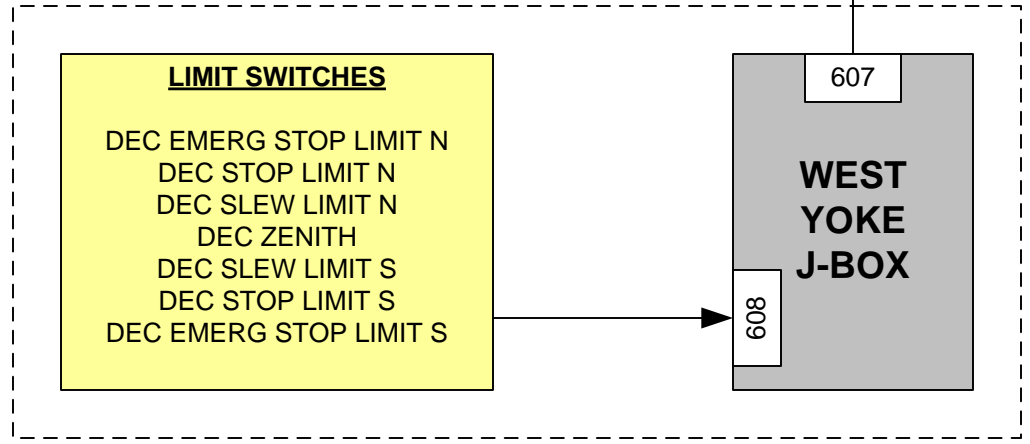
West slew limit	ON: 05:26:41.04	OFF: 05:23
West stop limit	ON: 05:36:13.98	OFF: 05:25
West brake limit	ON: 05:57:08.14	OFF: 05:46
North slew limit	ON: 62:03:39.6	OFF: 60:17
North stop limit	ON: 67:19:47.0	OFF: 64:15
North brake limit	ON: 69:38:24.8	OFF: 67:27
(Noted DEC sky position was greater than 70 degrees).		
East slew limit	ON: -05:28:29.74	OFF: -05:19
East stop limit	ON: -05:38:15.32	OFF: -05:27
East brake limit	ON: -05:57:41.84	OFF: -05:53
South slew limit	ON: -53:07:49.6	OFF: -51:05
South stop limit	ON: -56:42:22.1	OFF: -53:49
South brake limit	ON: -59:28:43.0	OFF: -59:26

Horizontal Slew limit is ~70 deg.
Horizontal Stop limit is ~75 deg.

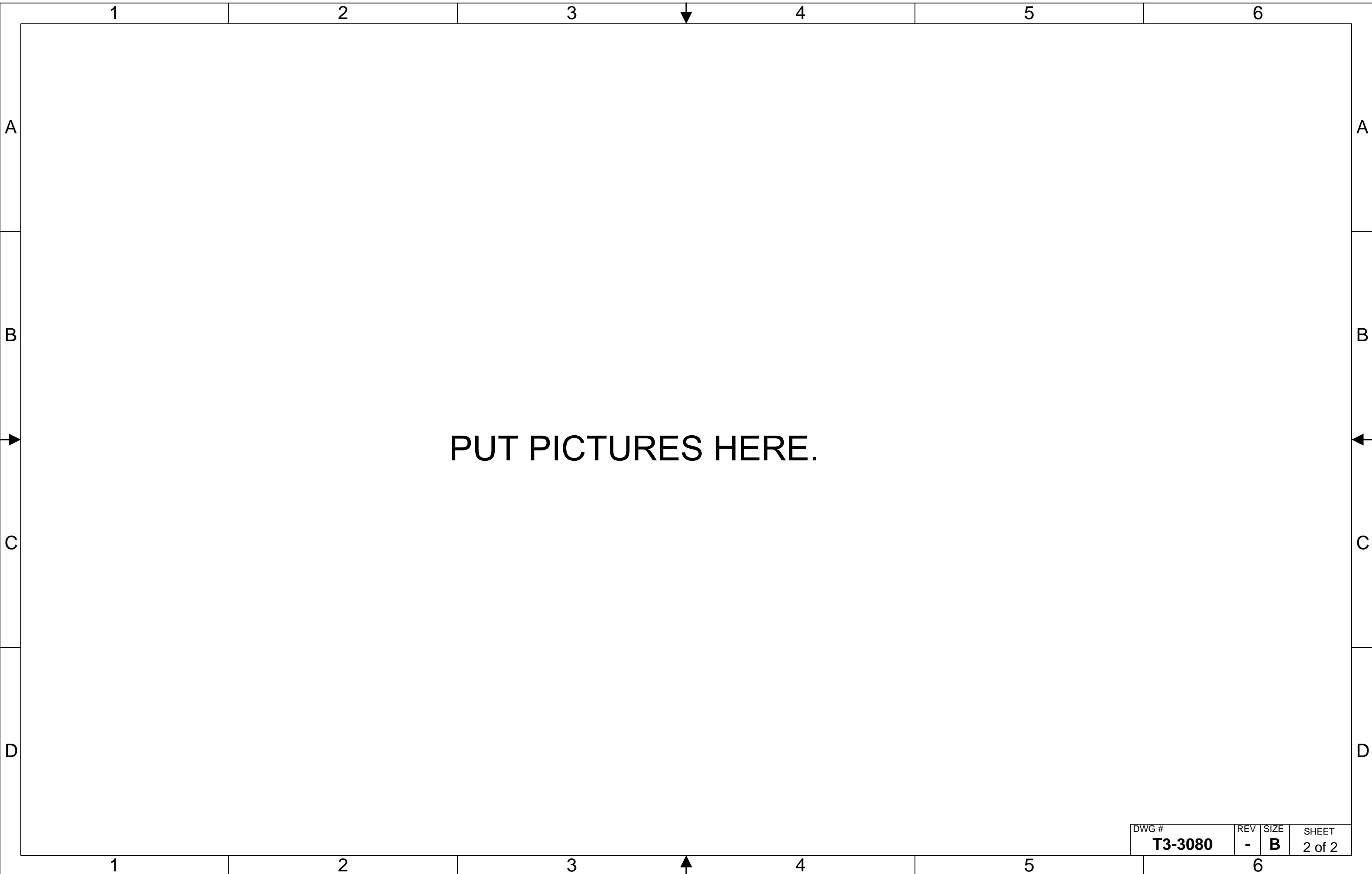
Note we travel beyond the published Telescope Pointing Limits of
DEC: -59:00:00 to +69:56:00
HA: -05:04:47 to +05:04:47

The limit testing on the left can be referenced at:
http://irtfweb.ifa.hawaii.edu/~tcs3/tcs3/history/0806/10jun_day_eng/

(Reference Original Drawing 710-448)



University of Hawaii Institute for Astronomy			
DWG #	REV	TITLE	
T3-3080	-	Telescope Position Limits	
ENGINEER E. Warmbier	LAST EDIT 1/22/2009 5:09:23 PM	SIZE B	SHEET 1 of 2
FILE: Y:\public_html\tcs3\Design\T3-3080_Telescope_Position_Limits.vsd			



PUT PICTURES HERE.

DWG #	REV	SIZE	SHEET
T3-3080	-	B	2 of 2