

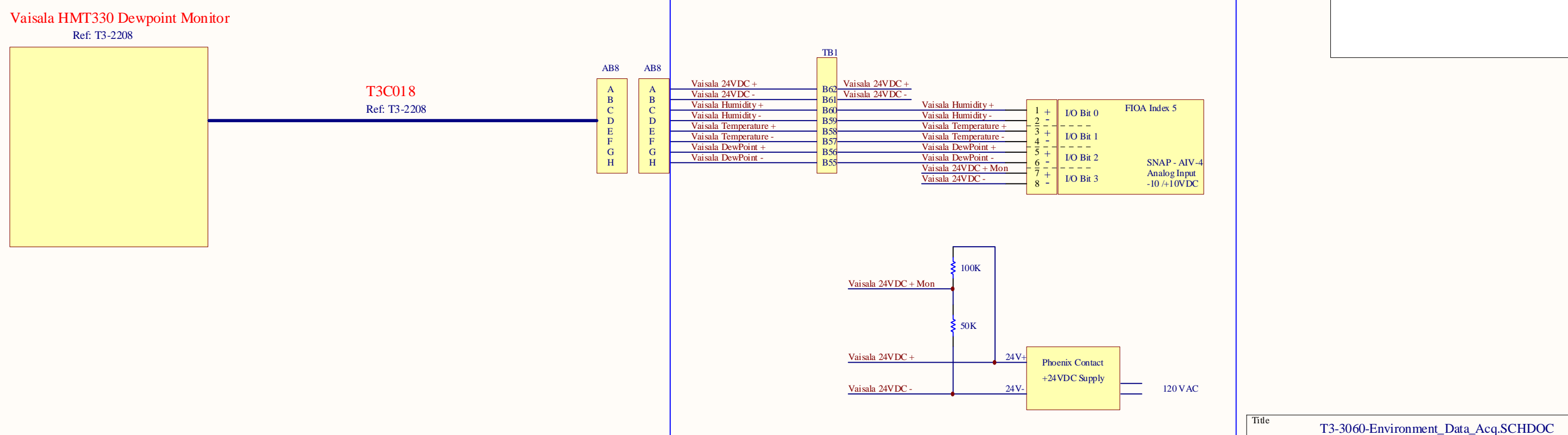
Software Notes.

TCS3 MCC display Temperature and Humidity information on MCC1 GUI.

Temperature and Humidity is also used in the astronomy calculations in VTCS.

The command `vtcs.env.update` tells the tcs3 where to obtain the Temperature and humidity:
 0 = No data updates.
 1 = update from fioc (old tcs sensors)
 2 = update from fio_a (Vaisala HMT300)

The default is 2.



Title			T3-3060-Environment_Data_Acq.SCHDOC		
Size	Number	Revision			
B					
Date:	6/27/2008	Sheet of			
File:	H:\Documents and Settings\...T3-3060-Env...Data_Acq.SCHDOC				