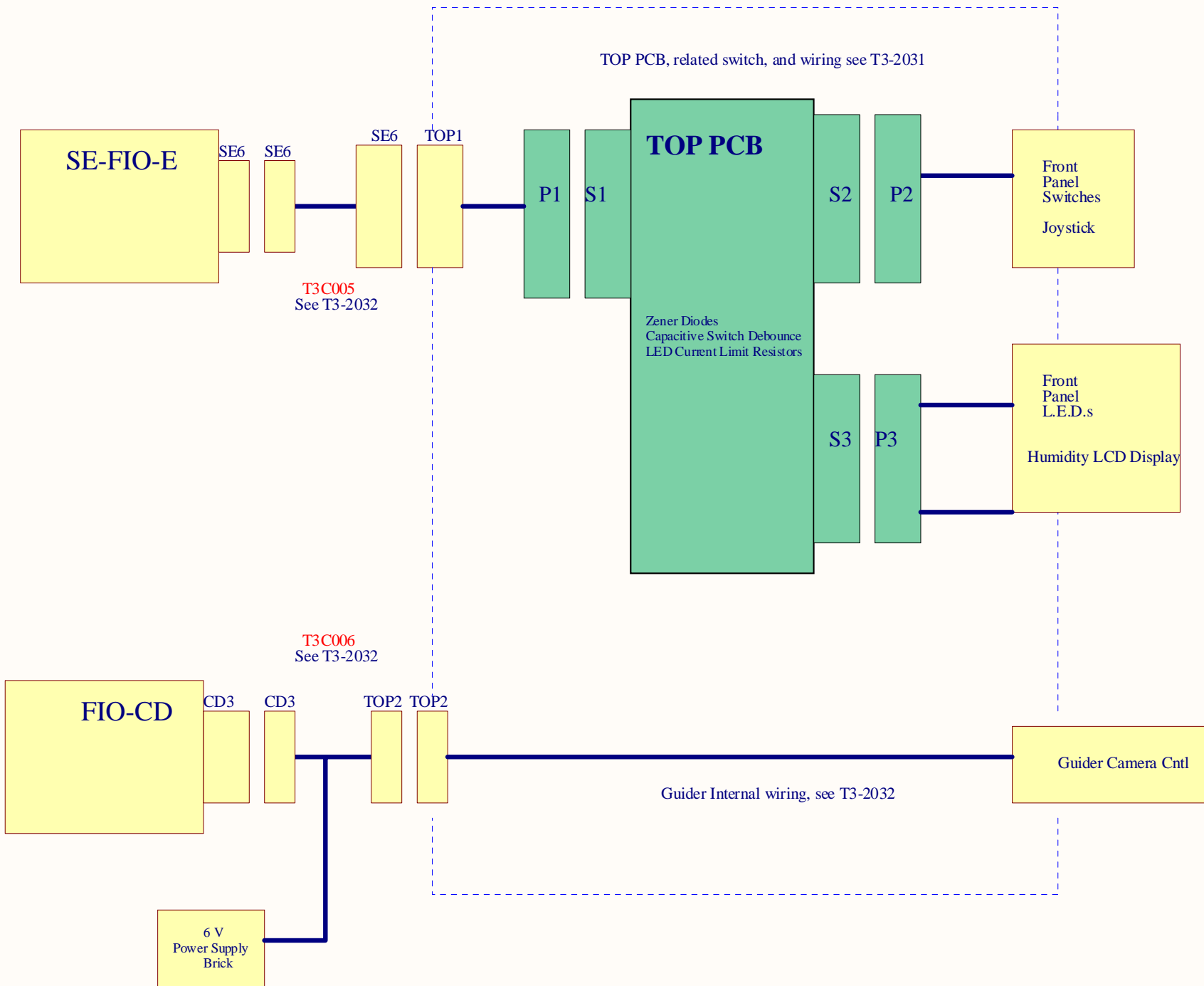
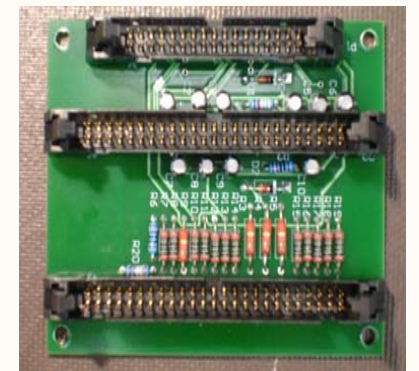


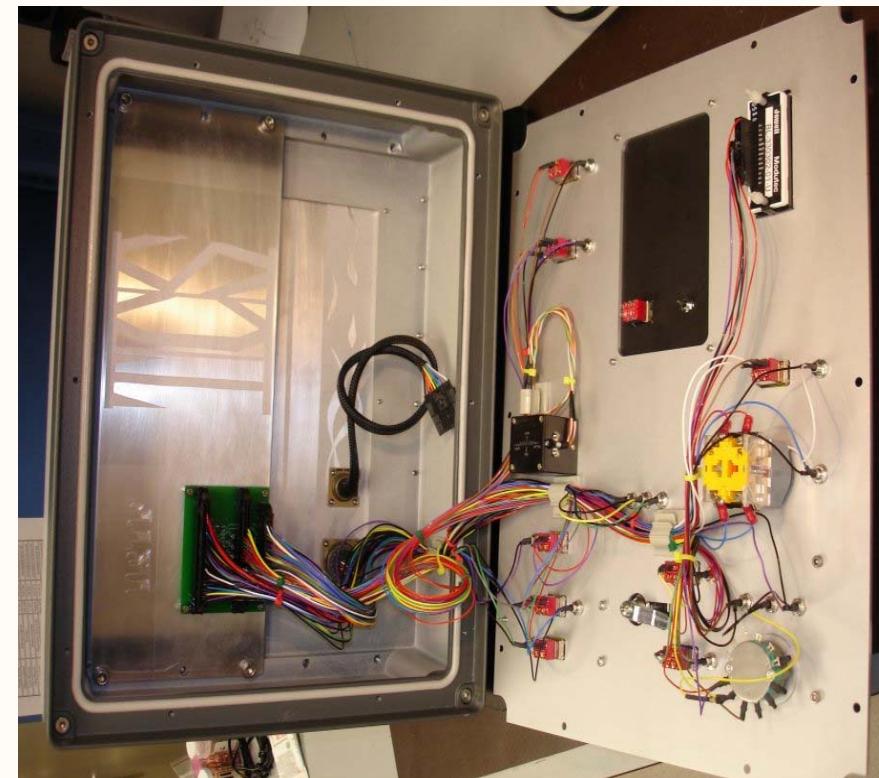
# TO Panel



TO Panel Front View



TO Panel PCB Board



TO Panel Internal



TO Panel Back showing TOP1 and TOP2 connected

Title		
T3-2030-TO_PANEL-Overview.SCHDOC		
Size	Number	Revision
B		
Date:	4/24/2008	Sheet of
File:	H:\Documents and Settings\...\T3-2030-TO_PANEL-Overview.SCHDOC	