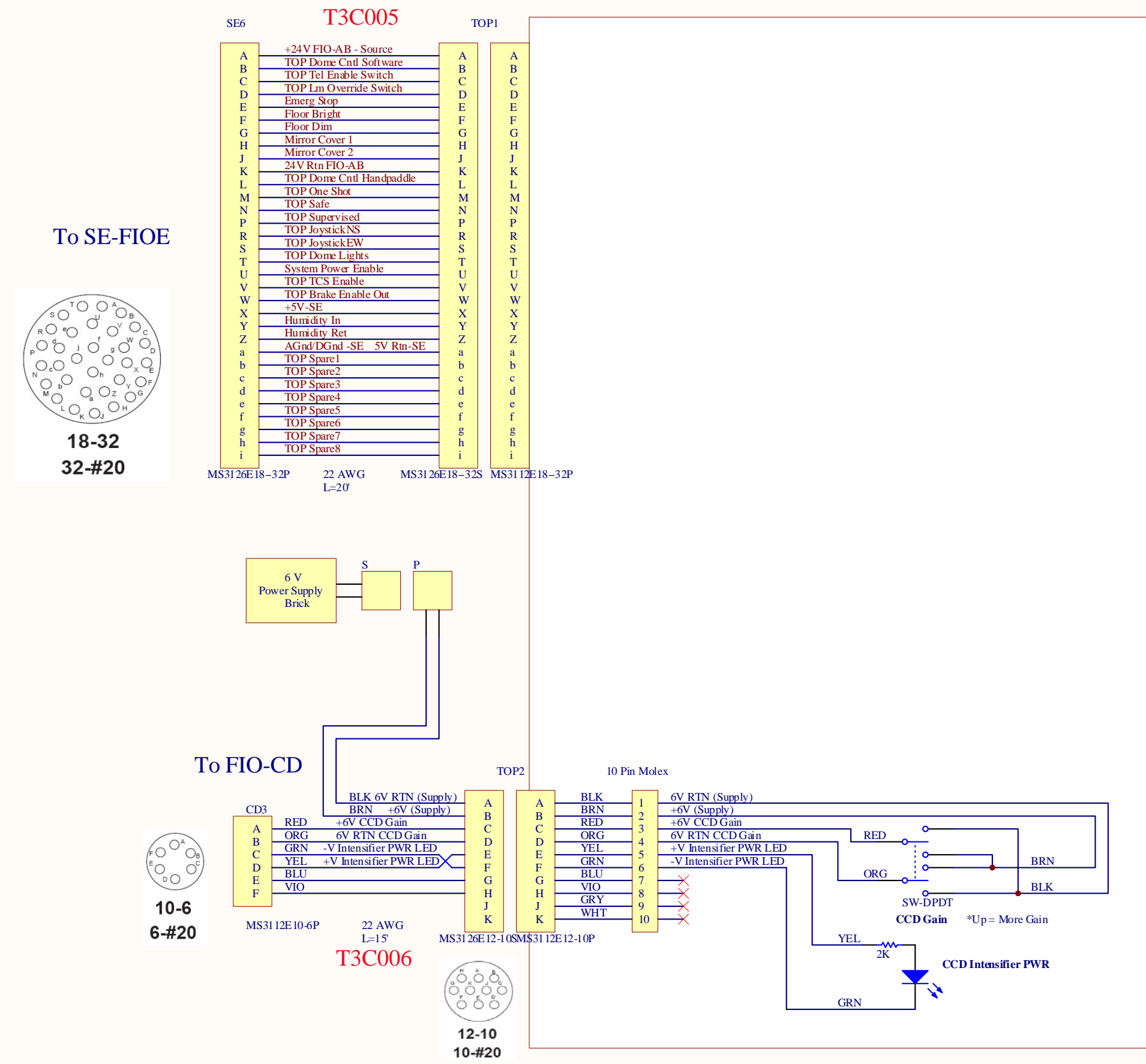
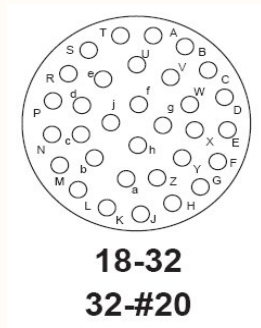


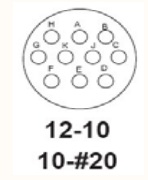
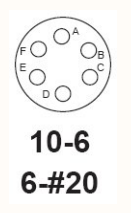
TO Panel



To SE-FIOE



To FIO-CD



Title T3-2032-TO_PANEL-Guider_cables.SCHDOC		
Size B	Number	Revision
Date: 4/24/2008	Sheet of	
File: H:\Documents and Settings\...\T3-2032-TO_PANEL-Guider_cables.SCHDOC		