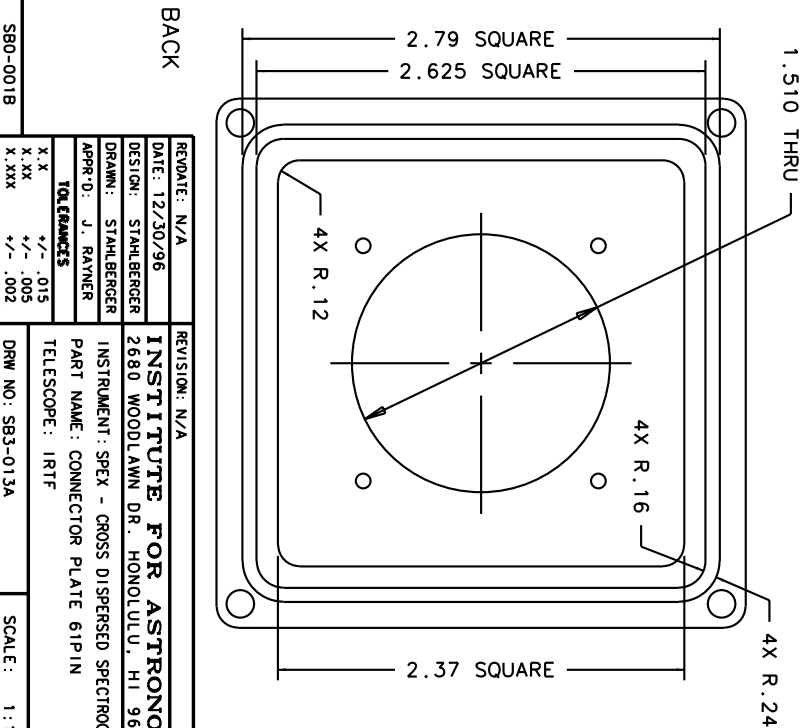
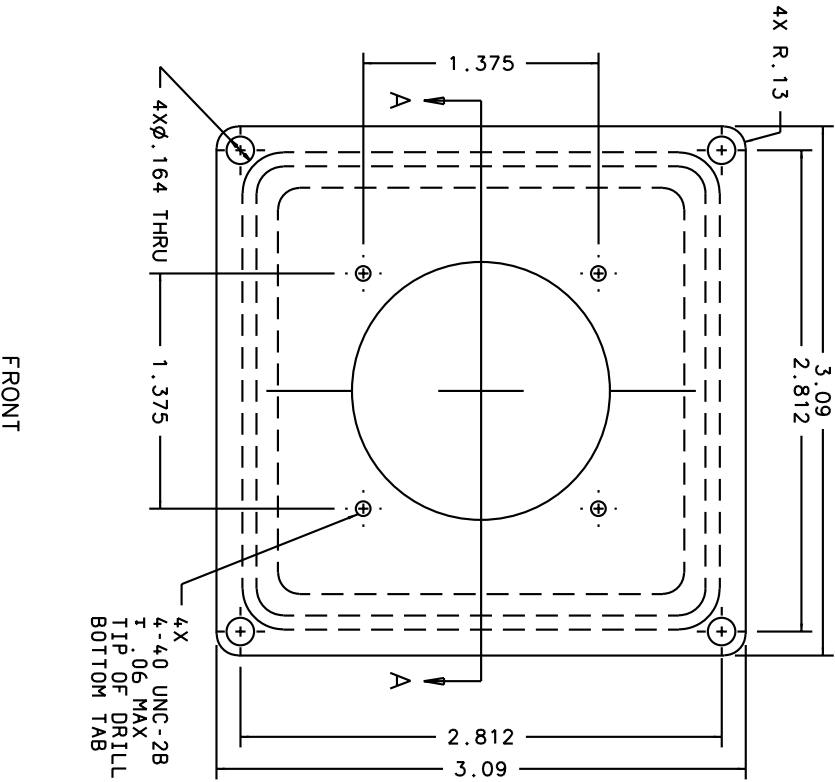
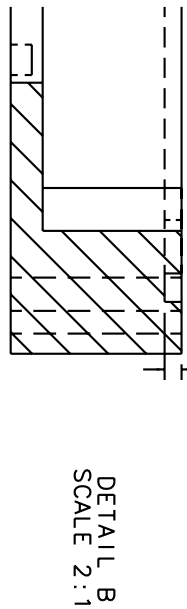
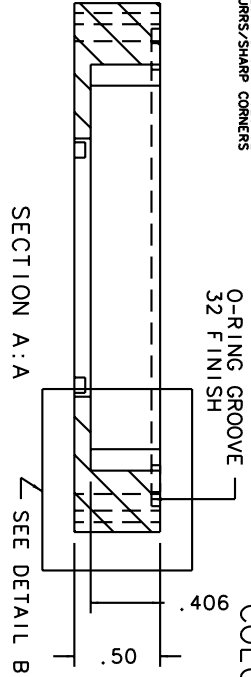


NOTES: UNLESS OTHERWISE NOTED  
 1. MACHINED SURFACE ROUGHNESS 64  
 O-RING GROOVES AND SURFACES 32  
 2. REMOVE ALL BURRS/SHARP CORNERS

ANODIZE:  
 COLOR: TBD

BILL OF MATERIAL		MATERIAL
NO.	REQ'D REF DRW DESCRIPTION	
N/A	6 SB3-013A CONNECTOR PLATE 6IPIN	ALU 6061-T6



FRONT

BACK

REVNOTE: N/A	REVISION: N/A
DATE: 12/30/96	
DESIGN: STAHLBERGER	
DRAWN: STAHLBERGER	
APP'D: J. RAYNER	
TOLERANCES	
X.X	+/- .015
X.XX	+/- .005
X.XXX	+/- .002
ANGLE	+/- 30 min
FRACTION	+/- 1/32
SBO-001B	SCALE: 1:1
NEXT ASSY	SIZE: A
	JOS NO: 762
	SHEET: 1 OF 1

INSTITUTE FOR ASTRONOMY  
 2680 WOODLAWN DR., HONOLULU, HI 96822  
 INSTRUMENT: SPEX - CROSS DISPERSED SPECTROGRAPH  
 PART NAME: CONNECTOR PLATE 6IPIN  
 TELESCOPE: IRTF