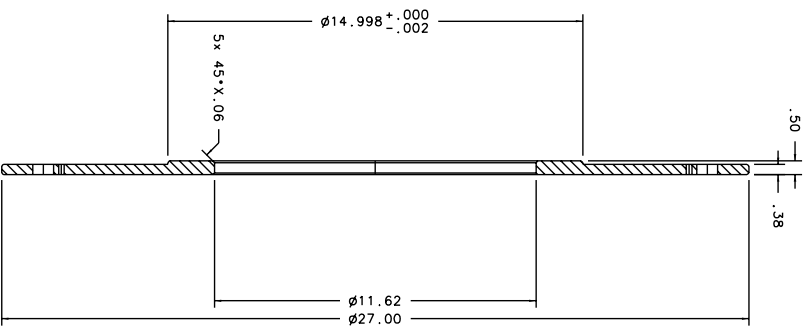
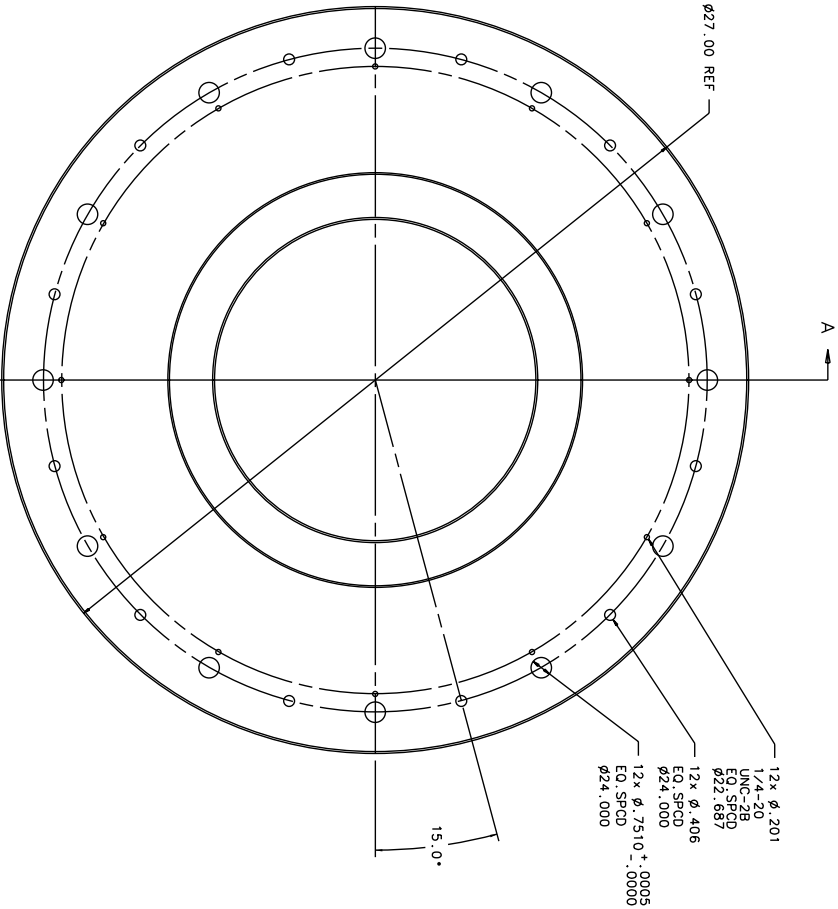


BILL OF MATERIAL			MATERIAL
ITEM Q'TY	DRW. NO.	DESCRIPTION	
1	ADK-322	MO-SPool DRILL FIXTURE	STEEL



SECTION A-A

TOLERANCES		DRAWING NUMBER		INSTITUTE FOR ASTRONOMY	
FEAT. SYMBOL	FEAT. TOLERANCE	FEAT. SYMBOL	FEAT. TOLERANCE	FEAT. SYMBOL	FEAT. TOLERANCE
	X.X ±0.02	DATE:	07/18/01	NAME:	MO-SPool DRILL FIXTURE
	X.XX ±0.005	DESIGN:VERN S		TELESCOPE:	MAHA HEIF
	X.XXX ±0.001	JOS #:	JOS.MO	SIZE:	B
	±0.5°	MFG:		REVISION DATE:	11/09/01
		SCALE:	1:4	SHEET NO.	1 OF 1

FRONT

A

A