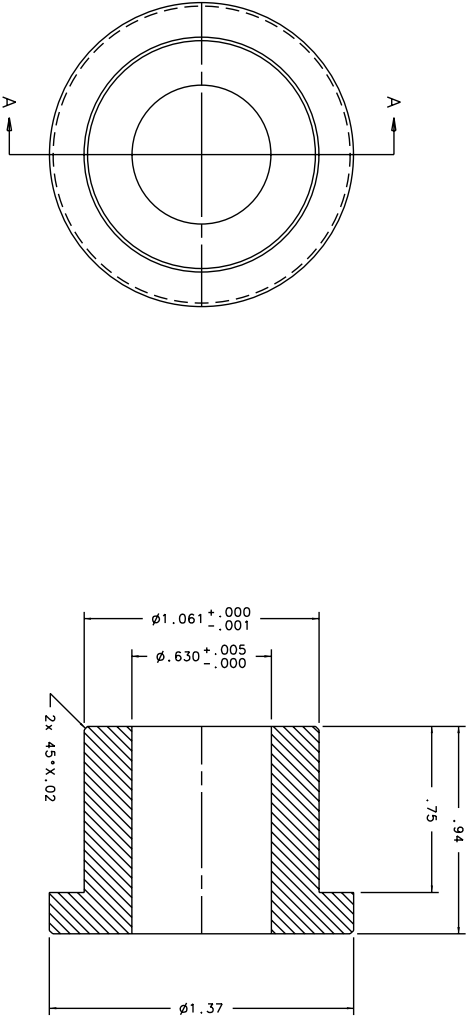


BILL OF MATERIAL		MATERIAL
ITEM Q'TY	DRW. NO.	DESCRIPTION
1	AK-316	SLEEVE
		STL. 303/316



FRONT

SECTION A-A

TOLERANCES		DRAWING NUMBER		INSTITUTE FOR ASTRONOMY	
FEAT. SYMBOL	FEAT. TOLERANCE	FEAT. SYMBOL	FEAT. TOLERANCE	FEAT. SYMBOL	FEAT. TOLERANCE
	X.X ±0.02		DATE: 01/17/02		NAME: SLEEVE
	X.XX ±0.005		DESIGN: VERB 5		INSTRUMENT: N/A
	X.XXX ±0.001		JOB #: 948		TELESCOPE: N/A
	±0.5°		MFG:		SIZE: B
			SCALE: 2:1		REVISION DATE: REV. DATE
			SHEET NO. 1 OF 1		