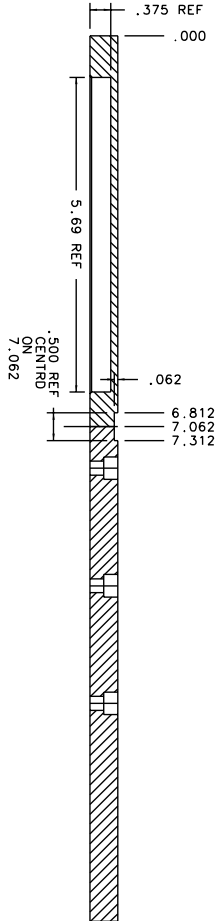
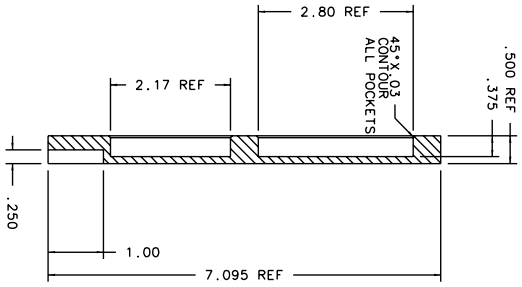


ITEM QTY	DRW. NO.	DESCRIPTION	MATERIAL
		BILL OF MATERIAL	

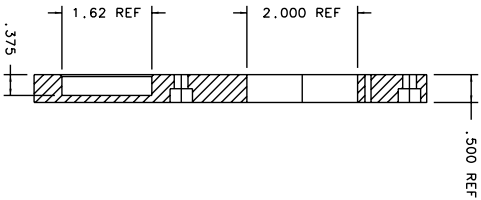
WEIGHT: 3.67 LBS  
 ANODIZE: BLACK  
 SURFACE AREA: 279.45 IN<sup>2</sup>



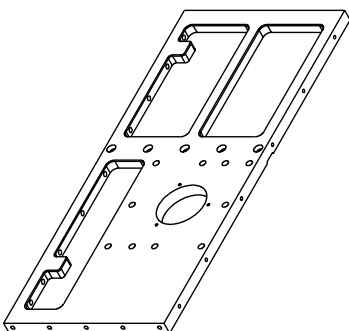
SECTION B-B: SCALE 1:2



SECTION A-A: SCALE 1:2



SECTION C-C: SCALE 1:2



ISOMETRIC: SCALE 1:2

TOLERANCES		DRAWING NUMBER		INSTITUTE FOR ASTRONOMY	
Ø	X .X ±0.02	DATE:	11/19/01	NAME:	SIDE PLATE-X
	X .XX ±0.005	INSTRUMENT:	TELESCOPE: NISA 18FT	TELESCOPE:	NISA 18FT
	X .XXX ±0.001	JOS #:	948	SIZE:	B
	±0.5°	MFG:		SCALE:	NOTED
				REVISION DATE:	REV. DATE
				SHEET NO.:	2 OF 2