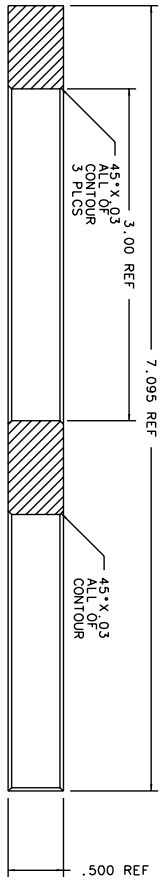
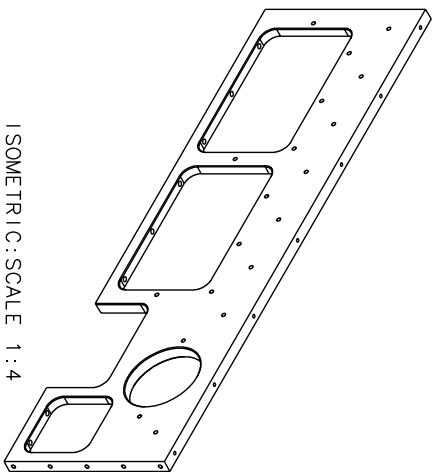


BILL OF MATERIAL		MATERIAL
ITEM Q'TY	DRW. NO.	DESCRIPTION
1	AK-311	MID PLATE
		ALUM 6061-T6

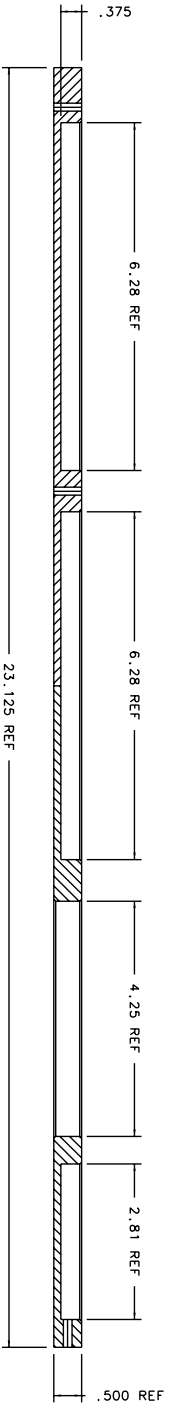
WEIGHT : 4.98 LBS
 ANODIZE : BLACK
 S-AREA : 357.50 IN^2



SECTION B-B: SCALE 1:1



ISOMETRIC: SCALE 1:4



SECTION A-A: SCALE 1:1

TOLERANCES		DRAWING NUMBER		INSTITUTE FOR ASTRONOMY	
FEAT. SYMBOL	FEAT. TOLERANCE	FEAT. SYMBOL	FEAT. TOLERANCE	FEAT. SYMBOL	FEAT. TOLERANCE
	X, X .X0 .02	DATE:	11/21/01	NAME:	MID PLATE
	X, XX ±0.005	DESIGN:VERN S		TELESCOPE:	NSA INT
	X, XXX ±0.001	JOS #:	948	SIZE:	B
	±0.5"	MFG:		SCALE:INTD	
				SHEET NO.	2 OF 2