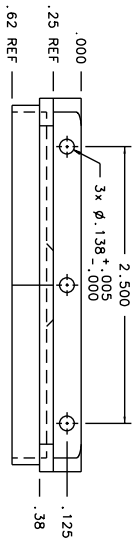


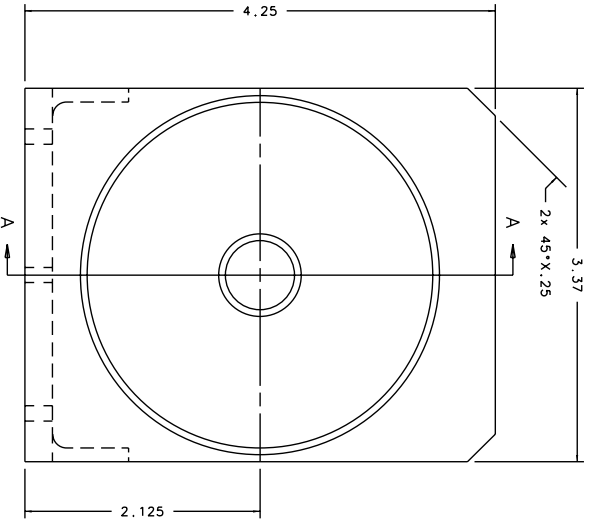
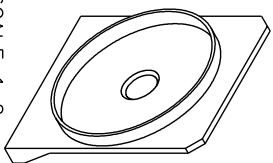
| BILL OF MATERIAL | | | MATERIAL |
|------------------|----------|-------------|--------------|
| ITEM Q'TY | DRW. NO. | DESCRIPTION | |
| 1 | AKC-306 | BAFFLE NO4 | ALUM 6061-T6 |

WEIGHT: 0.16 LBS
 ANODIZE: BLACK
 SURF AREA: 37.80 IN²

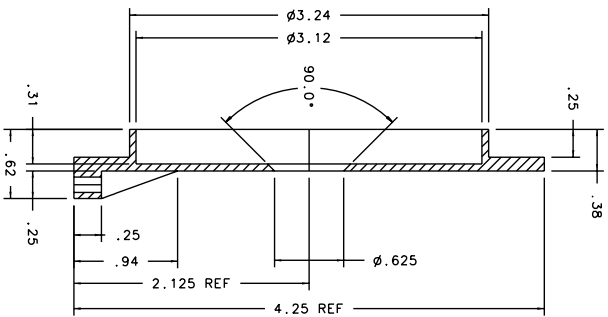


TOP

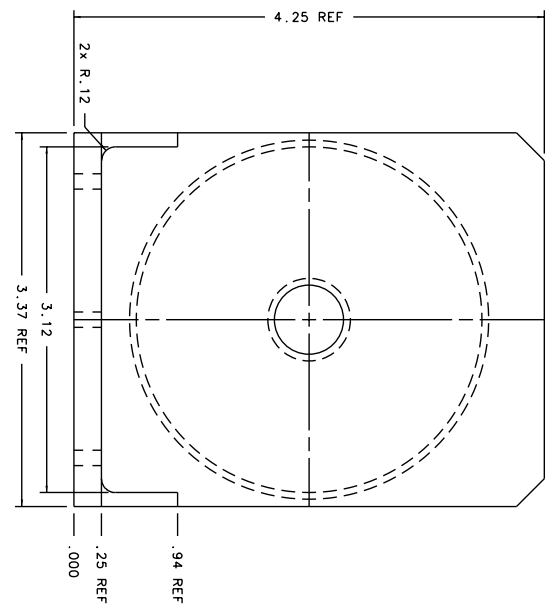
ISO: SCALE 1:2



FRONT



SECTION A-A



BACK

| TOLERANCES | | DRAWING NUMBER | | INSTITUTE FOR ASTRONOMY | |
|--------------|-----------------|----------------|-----------------|-------------------------|-----------------|
| FEAT. SYMBOL | FEAT. TOLERANCE | FEAT. SYMBOL | FEAT. TOLERANCE | FEAT. SYMBOL | FEAT. TOLERANCE |
| ∅ | X.X ±0.02 | DATE: | 12/10/01 | NAME: | BAFFLE NO4 |
| ∅ | X.XX ±0.005 | INSTRUMENT: | NSA INT | TELESCOPE: | NSA INT |
| ∅ | X.XXX ±0.001 | DESIGN:VERN | S | SIZE: | B |
| ∅ | ±0.5° | JOS #: | 948 | REVISION DATE: | REV. DATE |
| | | MFG: | | SCALE: | 1:1 |
| | | | | SHEET NO. | 1 OF 1 |