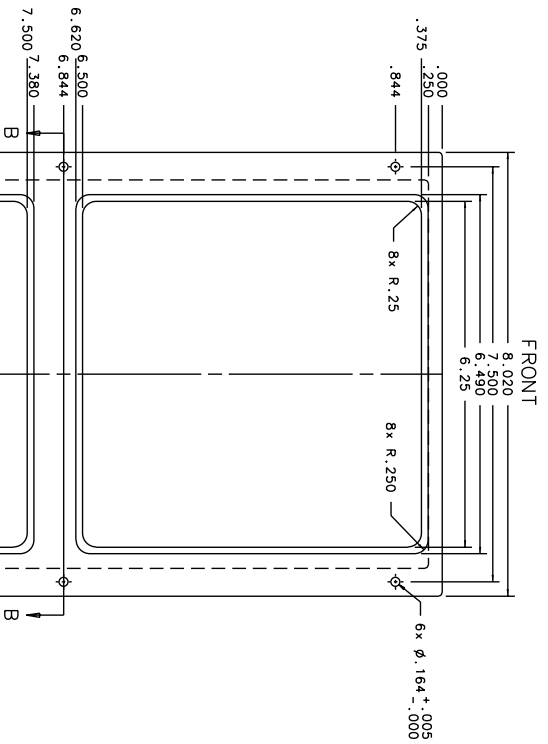
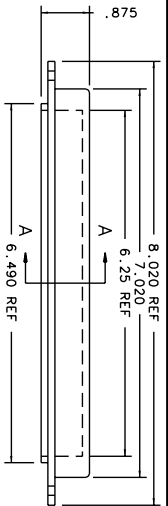
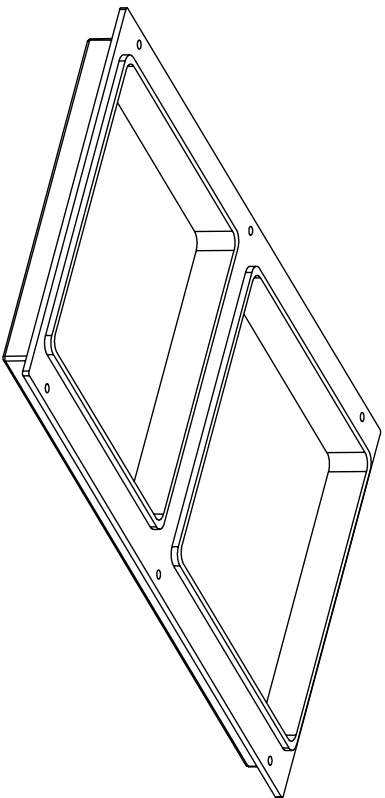


WEIGHT : 2.5 LBS  
 ANODIZE : BLACK  
 SURF AREA : 291.45 IN<sup>2</sup>

BILL OF MATERIAL			MATERIAL
ITEM	QTY	DRW. NO.	DESCRIPTION
1	1	ADK-302	APOGEE CCD COVER HAT
			ALUM 6061-T6



BOTTOM: SCALE 1 : 2



TOLERANCES		DRAWING NUMBER		INSTITUTE FOR ASTRONOMY	
MFG. ±0.5°		ADK-302-1		HAWAIIAN OBSERVATORY	
NEXT ASSY	X.X ±0.02	DATE: 12/14/01	NAME: APOGEE CCD COVER HAT	1520 N. BERKELEY AVE., PASADENA, CA 91106	
ADK-300	X.XX ±0.005	DESIGN: VERN S	TELESCOPE: NASA INT		
	X.XXX ±0.001	JOS #: 948	SIZE: B	REVISION DATE: REV. DATE	
		MFG:	SCALE: INTD	SHEET NO. 1 OF 2	