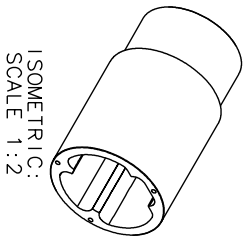
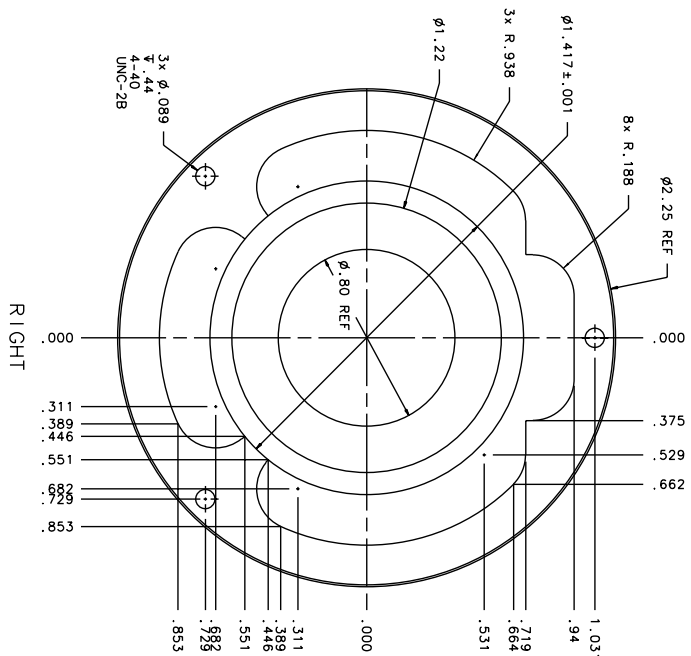
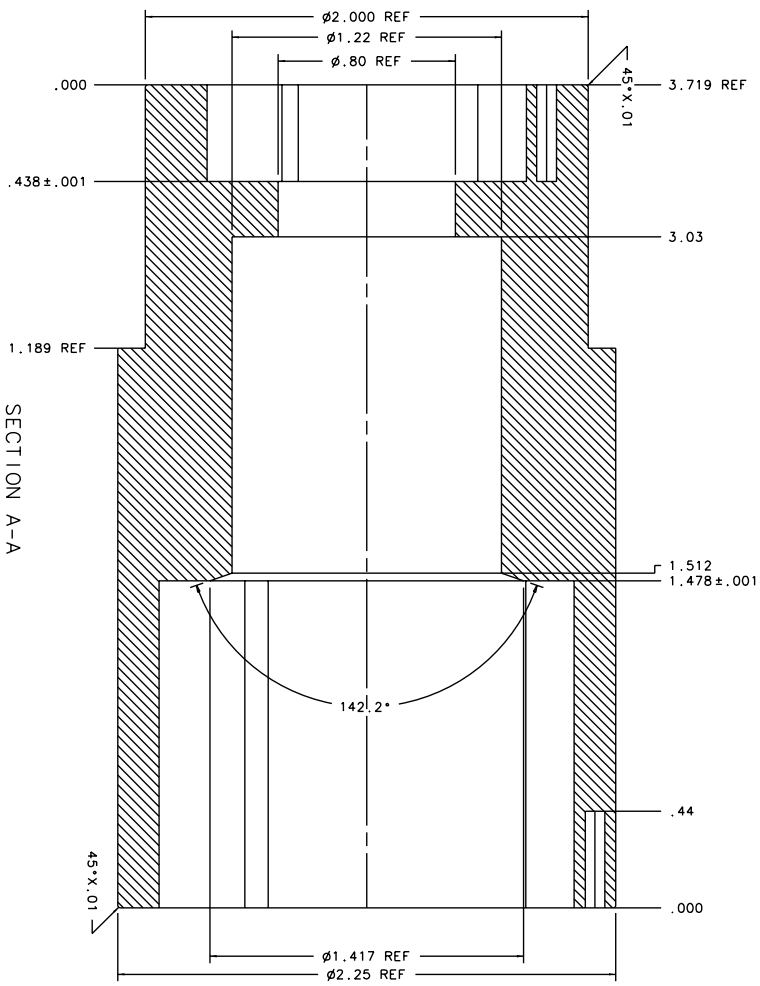


WEIGHT: 0.71 LBS
 ANODIZE: BLACK
 SURF AREA: 51.26 IN²

ITEM 01TY	DRW. NO.	DESCRIPTION	MATERIAL
		BILL OF MATERIAL	



ISOMETRIC:
 SCALE 1:2

TOLERANCES		DRAWING NUMBER		INSTITUTE FOR ASTRONOMY	
NEUT ASSY	X, X ± 0.02	DATE: 01/28/02	NAME: IERS CELL2	1800 UNIVERSITY AVENUE, PASADENA, CA 92385	
AK-270	X, XX ± 0.005	DESIGN: VERN 5	TELESCOPE: NMA INT		
	X, XXX ± 0.001	JOS #: 948	SIZE: B	REVISION DATE: REV. DATE	
	± 0.5°	MFG:	SCALE: 2:1	SHEET NO. 2 OF 2	