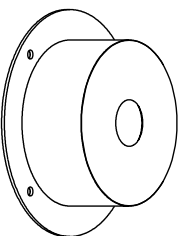
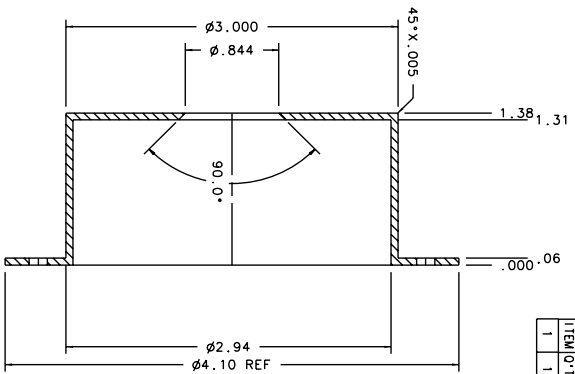
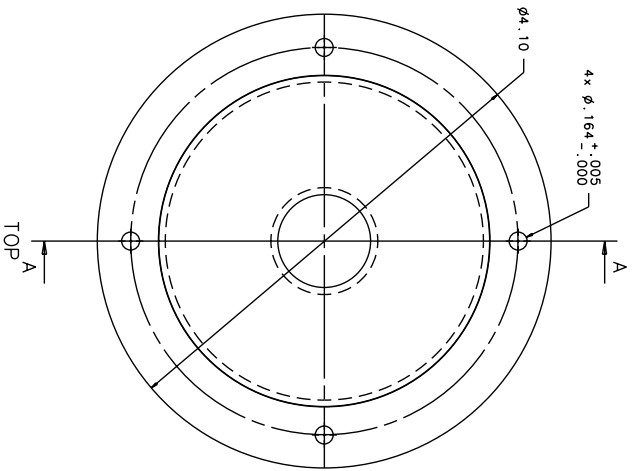


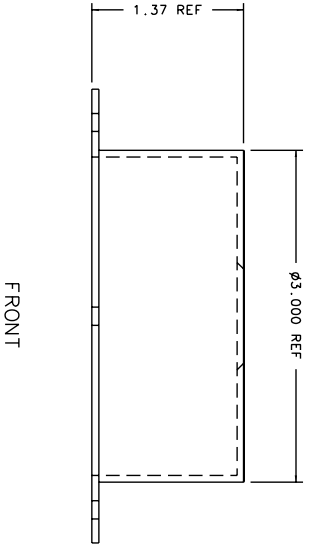
BILL OF MATERIAL		MATERIAL
ITEM Q'TY	DRW. NO.	DESCRIPTION
1	AK-218	APOGEE BAFFLE
		ALUM 6061-T6

POSTPROCESSING: BLACK ANODIZE
 WEIGHT: 0.14 LBS
 SURF AREA: 50.32 IN²



ISO: SCALE 1:2

SECTION A-A



FRONT

TOLERANCES		DRAWING NUMBER		INSTITUTE FOR ASTRONOMY	
FINISH	UNFINISHED	AK-218	AK-218	AK-218	AK-218
X.X ± 0.02	X.X ± 0.02	DATE: 04/30/02	NAME: APOGEE BAFFLE	PROJECT: HAWAIIAN TELESCOPE	REVISION DATE: REV. DATE
X.XX ± 0.005	X.XX ± 0.005	DESIGN: VERN S	TELESCOPE: HMA 18FT	SCALE: 1:1	SHEET NO. 1 OF 1
X.XXX ± 0.001	X.XXX ± 0.001	JOS #: 948	SIZE: B		
± 0.5°	± 0.5°	MFG:			