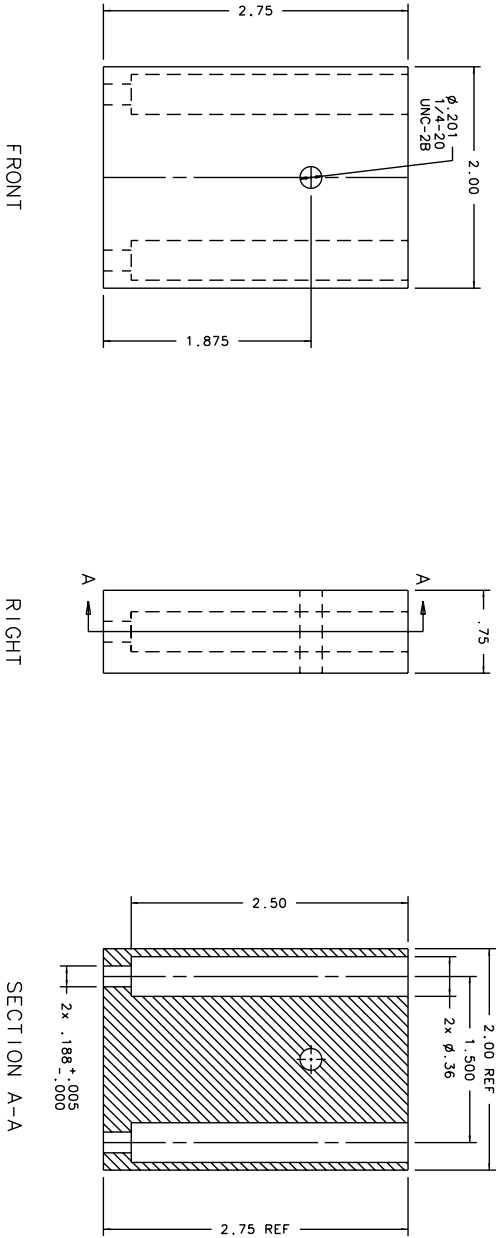


BILL OF MATERIAL		MATERIAL
ITEM Q'TY	DRW. NO.	DESCRIPTION
1	AKG-217	TRANSLATION STAGE STOP
		ALUM 6061-T6

WEIGHT : 0.35 LBS  
 ANODIZE : BLACK  
 SURF AREA : 24.35



TOLERANCES		DRAWING NUMBER		INSTITUTE FOR ASTRONOMY	
FEAT. TYPE	TOL.	NO.	REV.	DATE	REV.
NEXT ASSY	X, X ±0.02	AKG-217		01/07/02	
AKG-200	X, XX ±0.005			DESIGN:VERN S	
	X, XXX ±0.001			JOS #: 948	
	±0.5°			SCALE: 1:1	
				SHEET NO.	1 OF 1