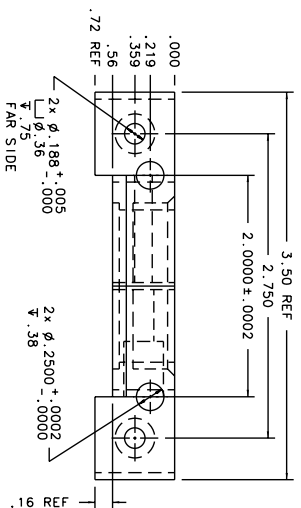
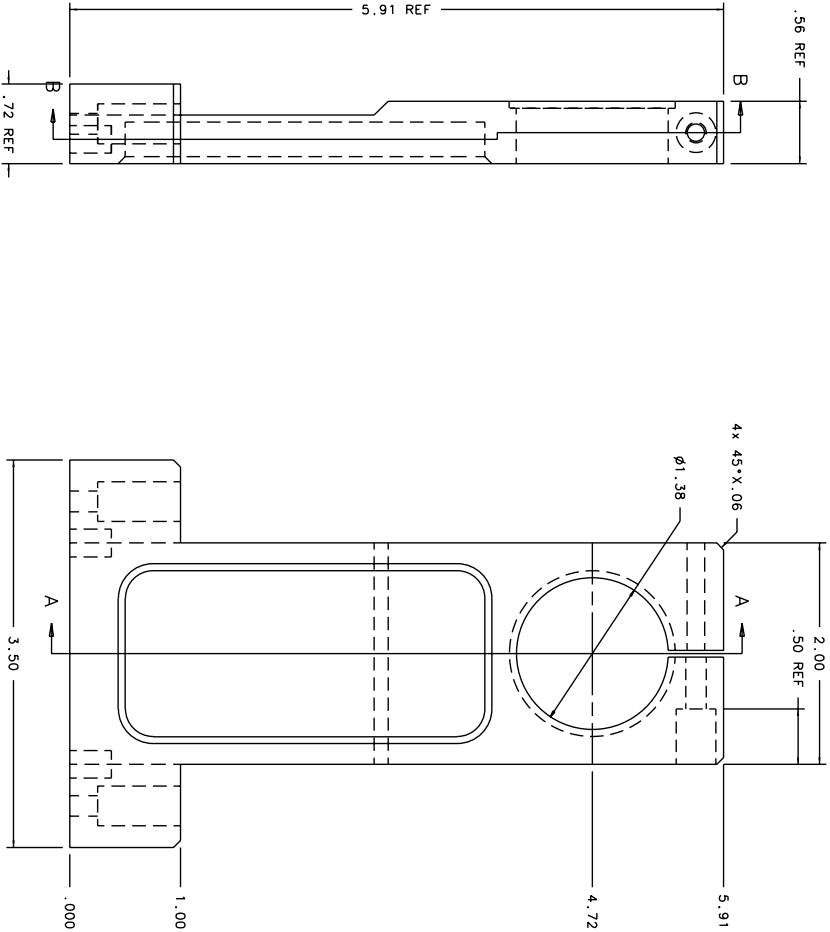


BILL OF MATERIAL			MATERIAL
ITEM Q'TY	DRW. NO.	DESCRIPTION	
1	AKK-213	PUPIL STOP SUPPORT	ALUM 6061-T6

WEIGHT: 0.39 LBS  
 ANODIZE: BLACK  
 SURF AREA: 44.52 IN<sup>2</sup>



BOTTOM

TOLERANCES		DRAWING NUMBER		INSTITUTE FOR ASTRONOMY	
FEAT. TYPE	TOLERANCE	NO.	REV.	DATE	BY
NEXT ASSY	X, X ± 0.02	AKK-213-1		01/03/02	
AKK-200	X, XX ± 0.005	NAME: PUPIL STOP SUPPORT			
	X, XXX ± 0.001	INSTRUMENT: TELESCOPE: NASA HRT			
	± 0.5°	DESIGN: VERN S			
		JOB #: 948			
		SIZE: B			
		REVISION DATE: REV. DATE			
		SCALE: 1:1			
		SHEET NO. 1 OF 2			