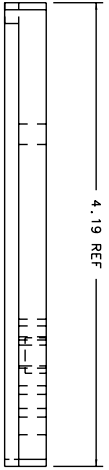
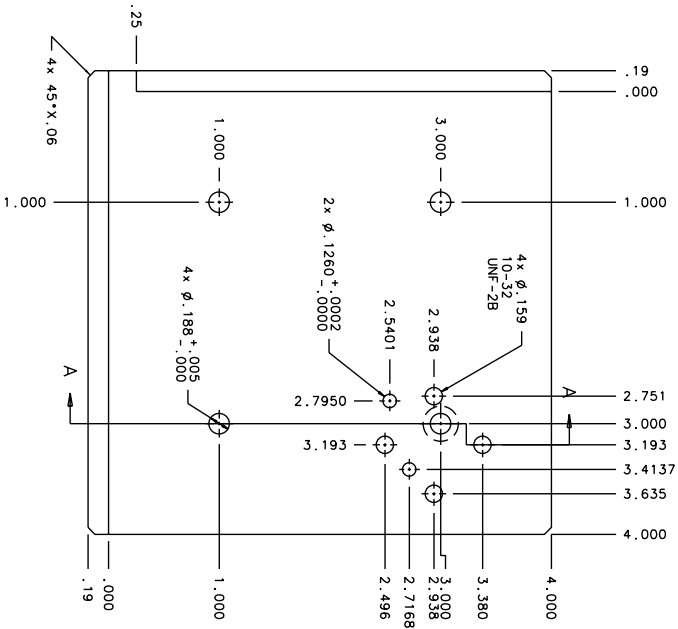


BILL OF MATERIAL			MATERIAL
ITEM Q'TY	DRW. NO.	DESCRIPTION	
1	AKK-211	MOVING FOLD BASEPLATE	ALUM 6061-T6

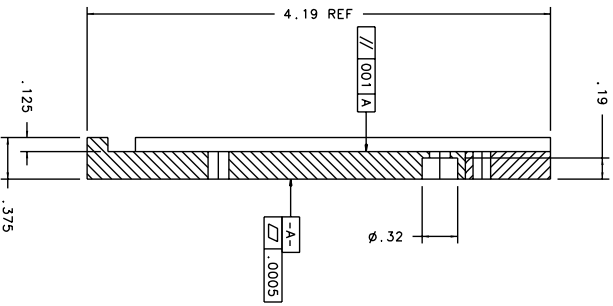
WEIGHT : 0.43 LBS
 ANODIZE : BLACK
 SURF AREA : 42.20 IN²



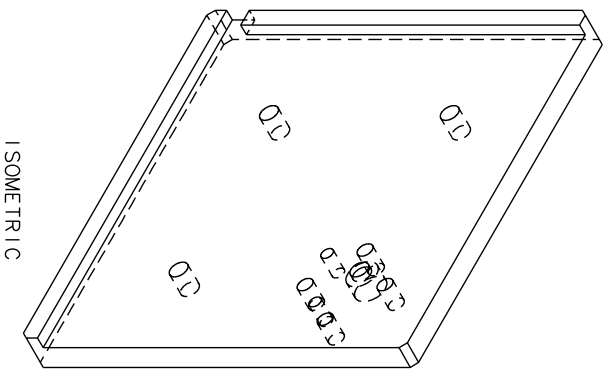
TOP



FRONT



SECTION A-A



ISOMETRIC

TOLERANCES		DRAWING NUMBER		INSTITUTE FOR ASTRONOMY	
SIZE	DECIMALS	NO.	REV.	NO.	REV.
X.X	±0.02	AKK-211		1850	1
X.XX	±0.005	DATE: 01/03/02		NAME: MOVING FOLD BASEPLATE	
X.XXX	±0.001	DESIGN: VERN S		TELESCOPE: NISA MFT	
±0.5°		JOS #: 948		SIZE: B	
		MFG:		REVISION DATE: REV. DATE	
				SCALE: 1:1	
				SHEET NO. 1 OF 1	