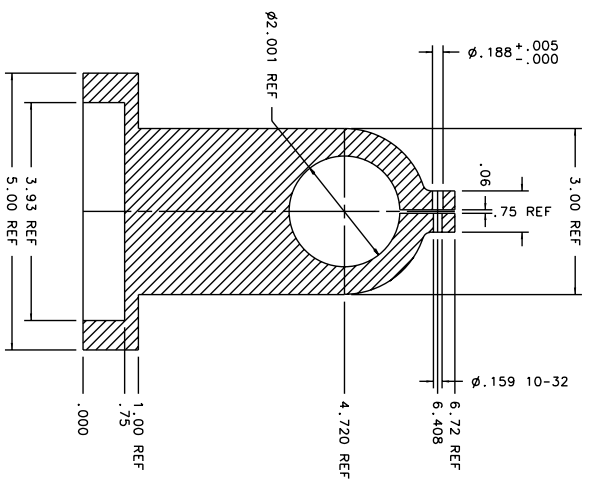
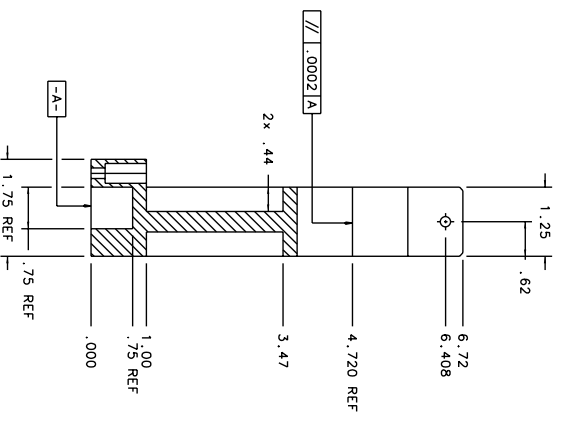


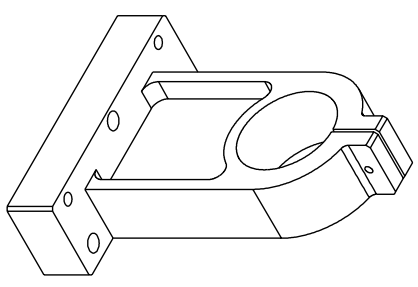
| | | |
|------------------|----------|-------------|
| BILL OF MATERIAL | | MATERIAL |
| ITEM Q'TY | DRW. NO. | DESCRIPTION |



SECTION B-B



SECTION A-A



ISOMETRIC: SCALE FULL

| | | | | | |
|------------|---------------|----------------|-------------------------------|--------------------------|------|
| TOLERANCES | | DRAWING NUMBER | | INSTITUTE FOR ASTRONOMY | |
| FEEL | ± .0001 | AK-209-2 | AK-209-2 | 1000 | 1000 |
| NEXT ASSY | X, X ±0.02 | DATE: 01/02/02 | NAME: IERUBERZ PEDISTAL CLAMP | 1000 | 1000 |
| AK-200 | X, XX ±0.005 | DESIGN: VERN S | TELESCOPE: NASA IPT | 1000 | 1000 |
| | X, XXX ±0.001 | JOS #: 948 | SIZE: B | REVISION DATE: REV. DATE | |
| | ± .0, .5" | MFG: | SCALE: 1:2 | SHEET NO. 2 OF 2 | |