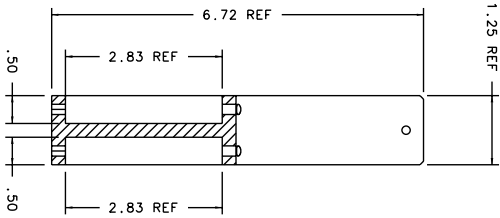
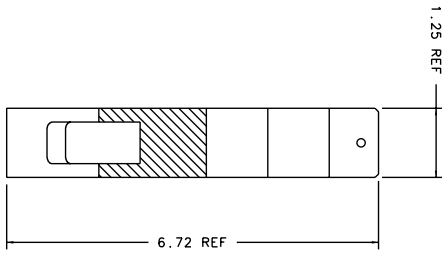


TOLERANCE X .XXXX +/-0.0002

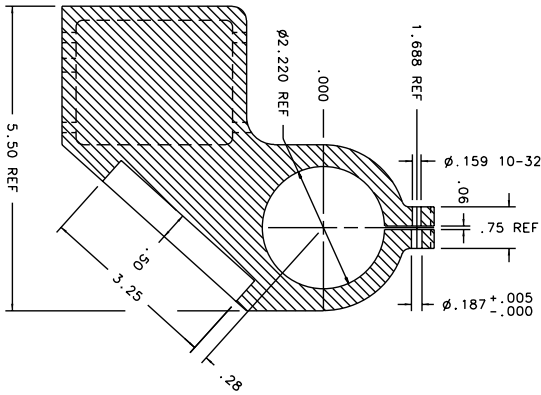
ITEM Q'TY	DRW. NO.	DESCRIPTION	MATERIAL



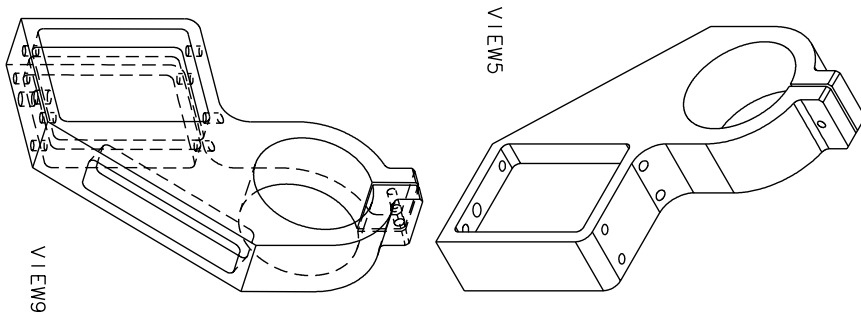
SECTION B-B



SECTION C-C



SECTION A-A



VIEWS

VIEW 9

TOLERANCES		DRAWING NUMBER		INSTITUTE FOR ASTRONOMY	
UNLESS OTHERWISE SPECIFIED		ADK-208-2		UNIVERSITY OF HAWAII	
NEXT ASSY	X .X ±0.02	DATE:	12/31/01	NAME:	LESTER J. PEDERSEN
ADK-200	X .XX ±0.005	DESIGN/VERN	S	TELESCOPE:	NSA INT
	X .XXX ±0.001	JOS #:	948	SIZE:	B
	±0.5°	MFG:		SCALE:	1:2
				SHEET NO.:	2 OF 2