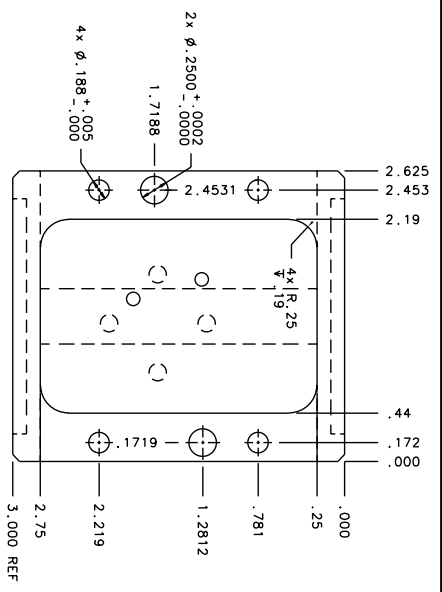
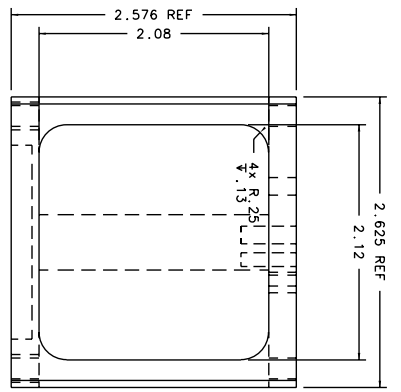


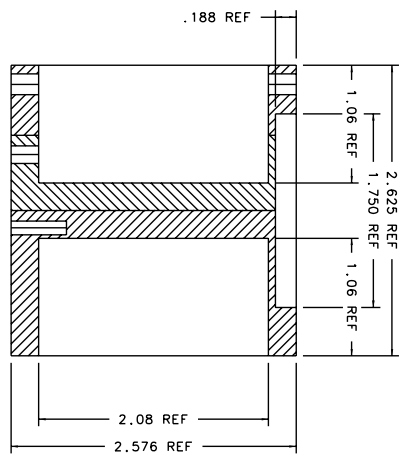
ITEM Q'TY	DRW. NO.	DESCRIPTION	MATERIAL



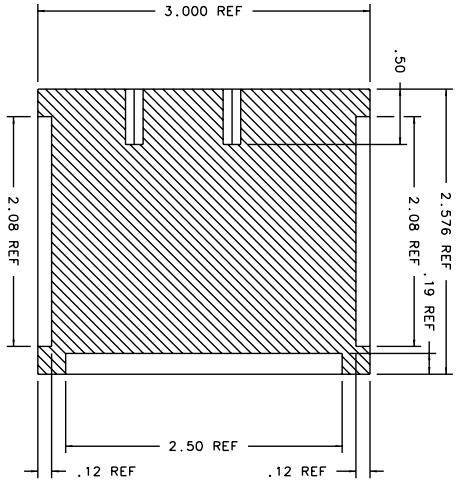
BACK



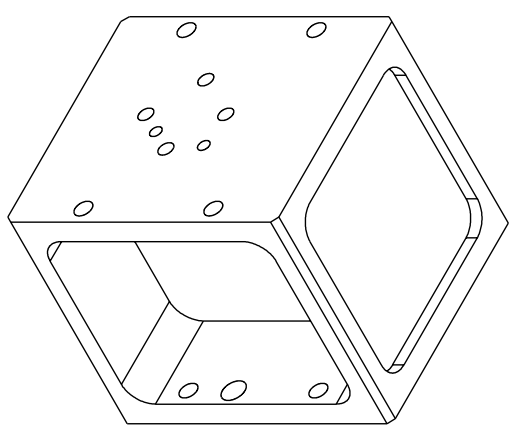
BOTTOM



SECTION B-B



SECTION A-A



ISOMETRIC: SCALE FULL

TOLERANCES		DRAWING NUMBER		INSTITUTE FOR ASTRONOMY	
FEAT. DIM.	FEAT. DIM.	ADK-204-2	ADK-204-2	UNIVERSITY OF HAWAII	UNIVERSITY OF HAWAII
X.X ±0.02	X.X ±0.02	DATE: 12/28/01	NAME: FOOD BASE RISER	1505 N. SHERIDAN AVE.	1505 N. SHERIDAN AVE.
X.XX ±0.005	X.XX ±0.005	DESIGN: VERN S	TELESCOPE: NKA RTF	2525 W. WILSON AVE.	2525 W. WILSON AVE.
X.XXX ±0.001	X.XXX ±0.001	JOS #: 948	SIZE: B	REV. DATE: REV. DATE	REV. DATE: REV. DATE
±0.5°	±0.5°	MFG:	SCALE: 1:1	SHEET NO. 2 OF 2	SHEET NO. 2 OF 2