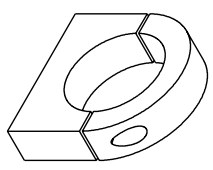
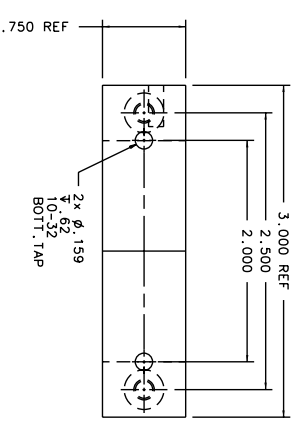
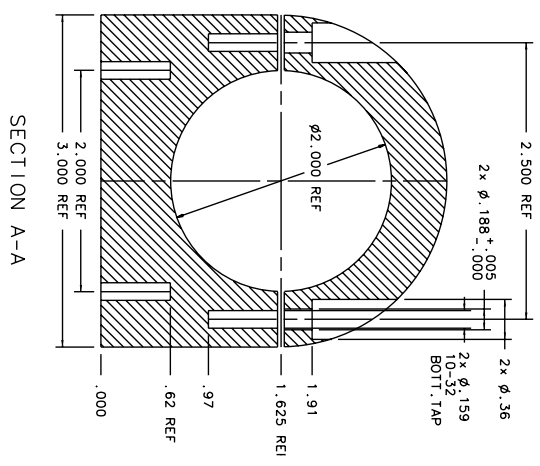
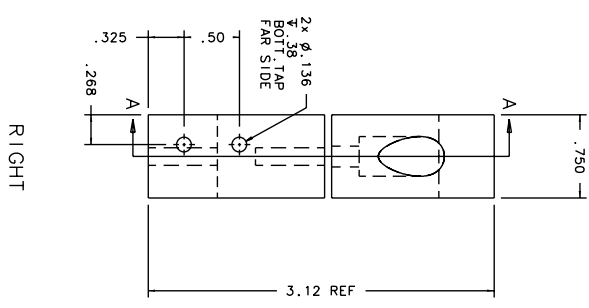
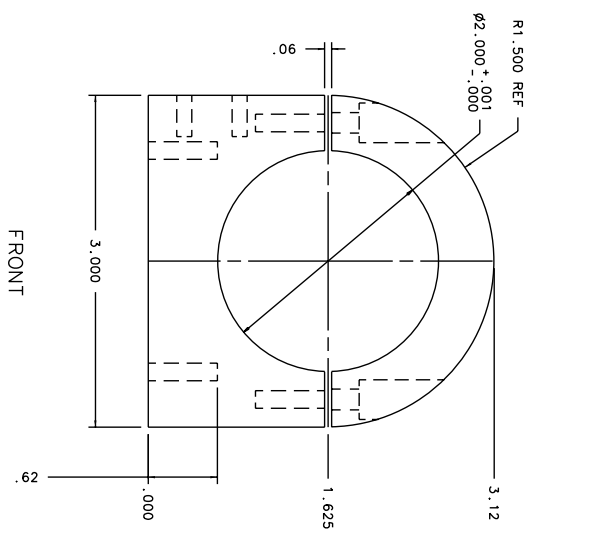


BILL OF MATERIAL			MATERIAL
ITEM Q'TY	DRW. NO.	DESCRIPTION	
1	AKK-203	COLLINS CDD MOUNT	ALUM 6061-T6

WEIGHT: 0.36 LBS
 ANODIZE: BLACK
 SURF AREA: 27.38 IN²



ISOMETRIC: SCALE 1:2

TOLERANCES		DRAWING NUMBER		INSTITUTE FOR ASTRONOMY	
DATE	DESCRIPTION	DATE	DESCRIPTION	DATE	DESCRIPTION
AKK-200	X.XX +/- .005	01/04/02	COLLINS CDD MOUNT	01/04/02	COLLINS CDD MOUNT
	X.XXX +/- .001	DESIGN: VERN S	TELESCOPE: NWA 18FT		
	± .0.5°	JOS #: 948	SCALE: 1:1	REVISION DATE: REV. DATE	
		MFG:		SHEET NO. 1 OF 1	