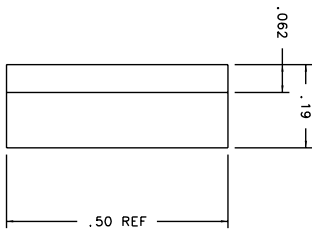
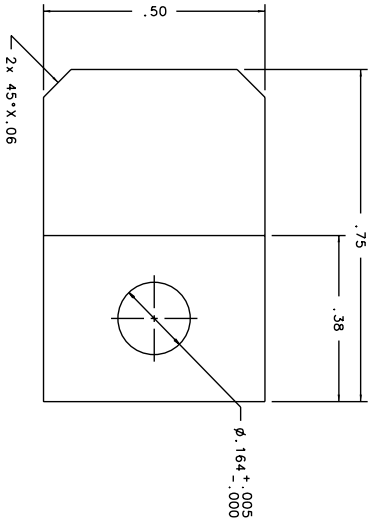


WEIGHT : 0.005 LBS  
 ANODIZE : BLACK  
 SURF AREA : 1.17 IN<sup>2</sup>

BILL OF MATERIAL			MATERIAL
ITEM	QTY	DRW. NO.	DESCRIPTION
1	1	ADK-111	OUTER GIMBAL HARD STOP
			ALUM 6061-T6



TOLERANCES		DRAWING NUMBER		INSTITUTE FOR ASTRONOMY	
FRACTIONAL DECIMALS		ADK-111		HARVARD UNIVERSITY	
NEXT ASSY	X, X ±0.02	DATE:	12/27/01	NAME:	OUTER GIMBAL HARD STOP
ADK-100	X, XX ±0.005	DESIGN:VERN S		TELESCOPE:	NSA 197F
	X, XXX ±0.001	JOS #: 948		SIZE:	B
	±0.5°	MFG:		SCALE:	4:1
				REVISION DATE:	REV. DATE
				SHEET NO.	1 OF 1