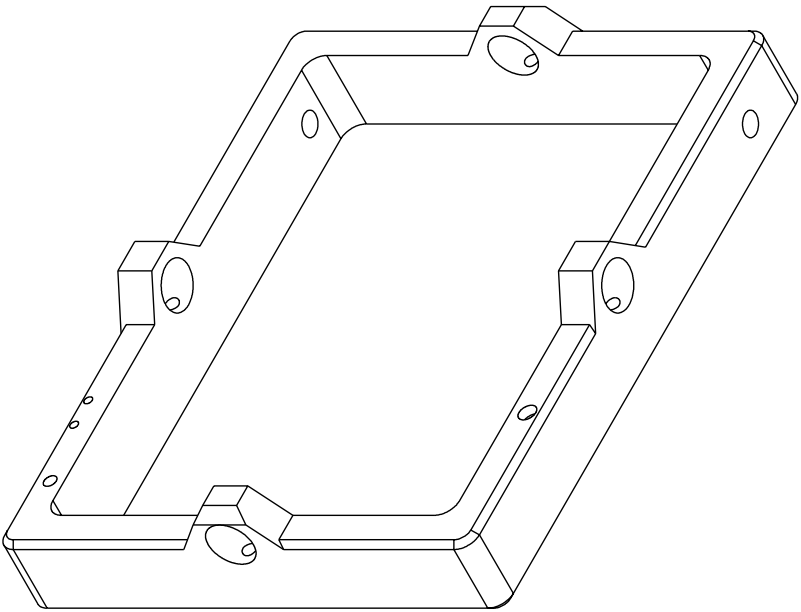
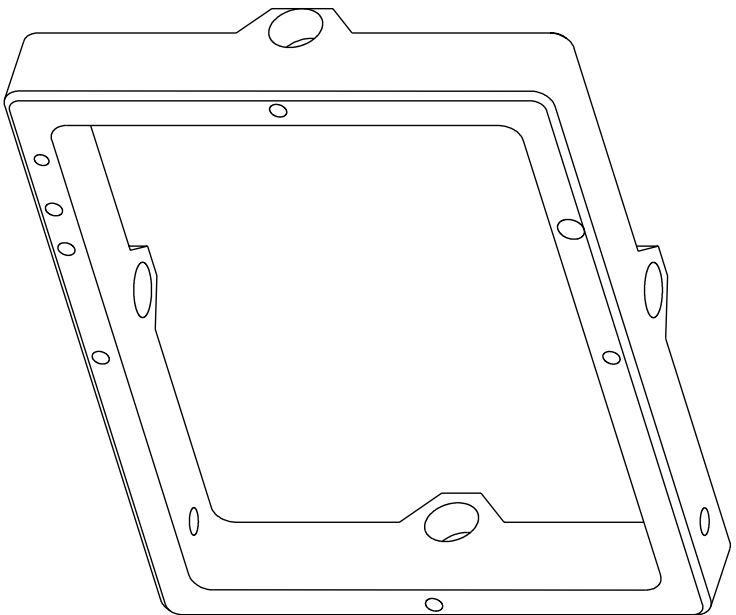


BILL OF MATERIAL		MATERIAL
ITEM Q'TY	DRW. NO.	DESCRIPTION



VIEW9: SCALE FULL



VIEW17: SCALE FULL

TOLERANCES		DRAWING NUMBER		INSTITUTE FOR ASTRONOMY	
NEXT ASSY	X .X ±0.02	DATE: 12/24/01	ADK-110-4	NAME: OUTER CIRCUIT FRAME	1880 S. ALI DR. PASADENA, CA 91106
ADK-100	X .XX ±0.005	DESIGN: VERN S		INSTRUMENTS: MIRA OPT	
	X .XXX ±0.001	JOS #: 948		TELESCOPE: MIRA 18" F	
	±0.5°	MFG:		SCALE: IN/100	REVISION DATE: REV. DATE
				SHEET NO. 4 OF 4	