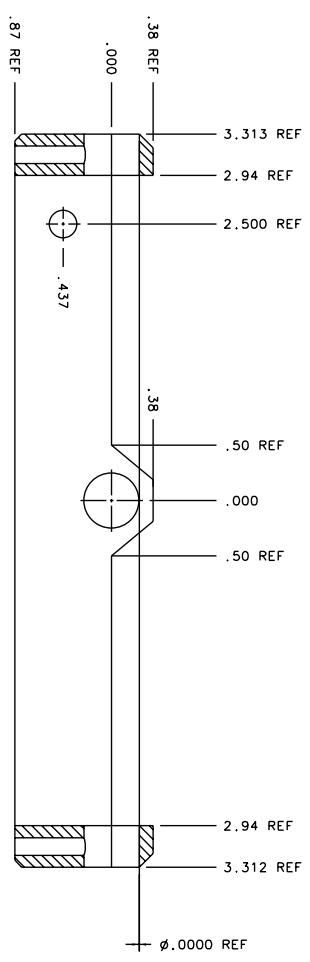
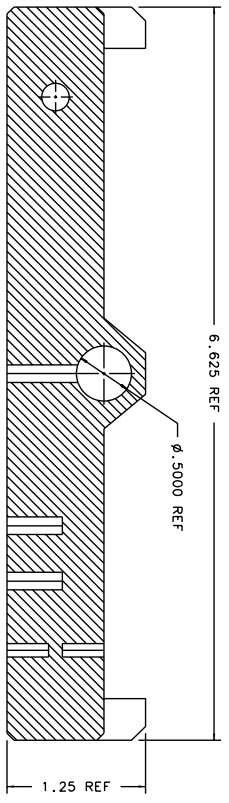


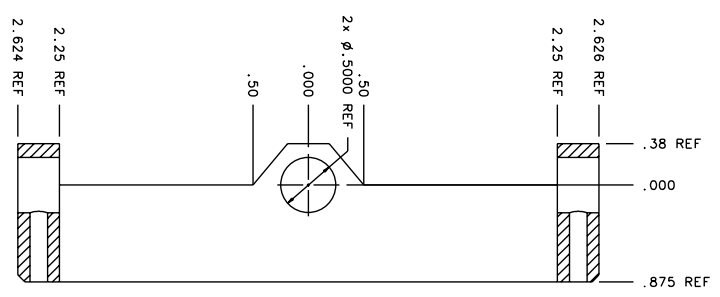
ITEM Q'TY	DRW. NO.	DESCRIPTION	MATERIAL
-----------	----------	-------------	----------



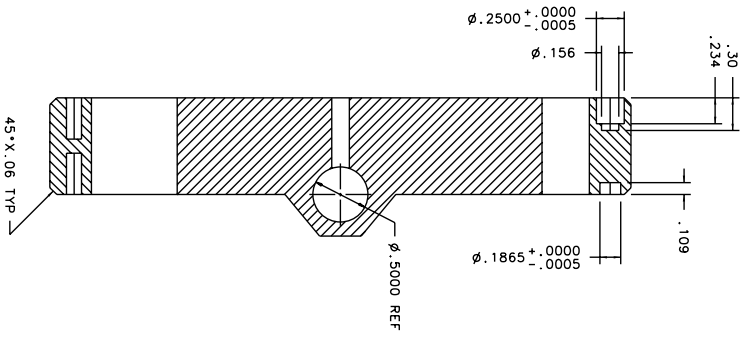
SECTION A-A: SCALE 1:1



SECTION D-D: SCALE 1:1



SECTION B-B: SCALE 1:1



SECTION C-C: SCALE 1:1

TOLERANCES		DRAWING NUMBER		INSTITUTE FOR ASTRONOMY	
Ø	X .X ±0.02	DATE:	12/24/01	NAME:	OUTER ORBITAL FRAME
Ø	X .XX ±0.005	DESIGN:VERN S		TELESCOPE:	NSA INT
Ø	X .XXX ±0.001	JOS #:	948	SIZE:	B
Ø	±0.5°	MFG:		REVISION DATE:	REV. DATE
		SCALE:	NOTED	SHEET NO.:	2 OF 4