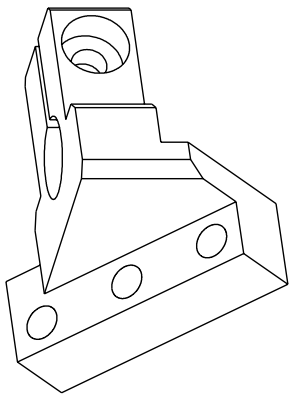
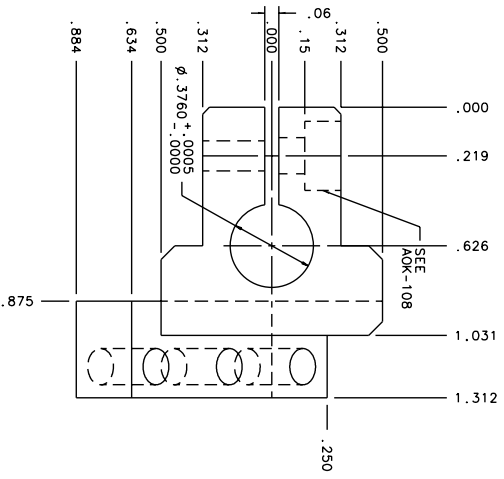


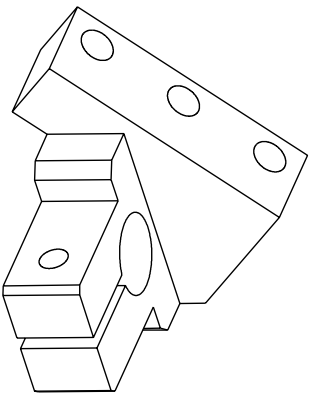
BILL OF MATERIAL			
ITEM QTY	DRW. NO.	DESCRIPTION	MATERIAL



VIEW6



VIEW8



VIEW7

TOLERANCES		DRAWING NUMBER		INSTITUTE FOR ASTRONOMY	
UNLESS OTHERWISE SPECIFIED		AOK-109-2		HARVARD UNIVERSITY	
NEXT ASSY	X, X ±0.02	DATE:	12/27/01	NAME:	OUTER GIMBAL ACTUATOR MOUNT
AOK-100	X, XX ±0.005	DESIGN:VERN S		TELESCOPE:	NSA 18T
	X, XXX ±0.001	JOS #: 948		SIZE:	B
	±0.5°	MFG:		REVISION DATE:	REV. DATE
				SCALE:	2:1
				SHEET NO.:	2 OF 2