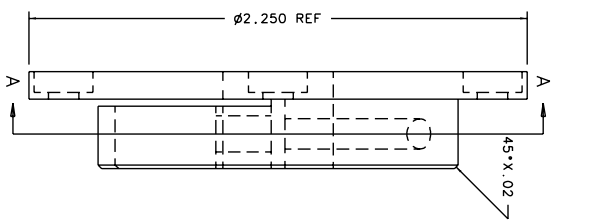
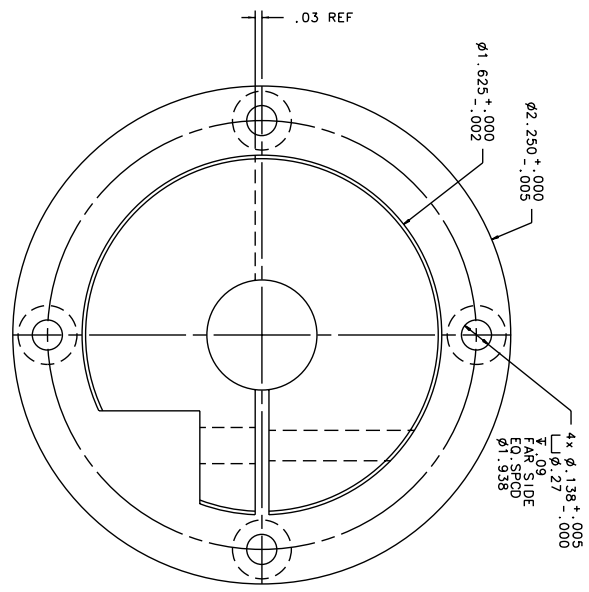


WEIGHT : 0.09 LBS  
 ANODIZE : BLACK  
 SURF AREA : 13.10 IN<sup>2</sup>

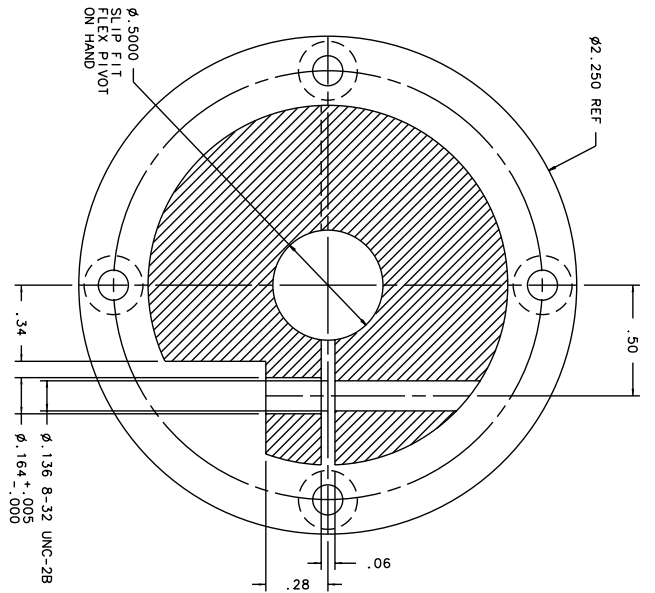
BILL OF MATERIAL			MATERIAL
ITEM Q'TY	DRW. NO.	DESCRIPTION	
1	AK-108	OUTER FLEX PIVOT SUPPORT	ALUM 6061-T6



LEFT



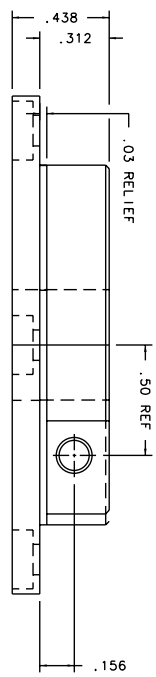
FRONT



SECTION A-A



ISO: SCALE 1:2



BOTTOM

TOLERANCES		DRAWING NUMBER		INSTITUTE FOR ASTRONOMY	
FEAT. TYPE	TOL.	NO.	REV.	DATE	BY
NEXT ASSY	X, X +/- .02	AK-108	1	12/26/01	NAME: OUTER FLEX PIVOT SUPPORT
AK-100	X, XX +/- .005	DESIGN: VERN S			INSTRUM: NASA IPT
	X, XXX +/- .001	JOS #: 948			TELESCOPE: NASA IPT
	< +/- .5"	MFG:			REVISION DATE: REV. DATE
					SCALE: 2:1
					SHEET NO. 1 OF 1