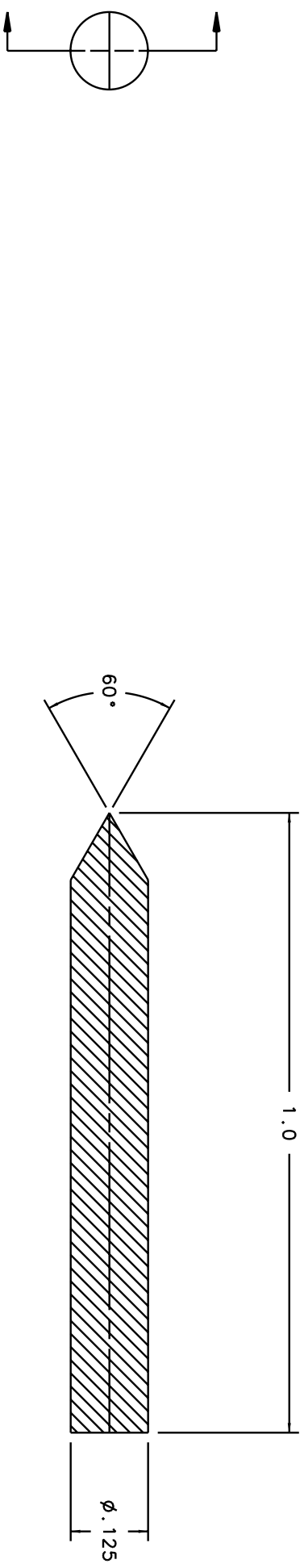


MAKE FROM DOWEL

BILL OF MATERIAL

ITEM Q'TY	DRW. NO.	DESCRIPTION	MATERIAL
1	3	AOK-327	POINTER
			STAINLESS



TOLERANCES		DRAWING NUMBER		INSTITUTE FOR ASTRONOMY	
UNLESS OTHERWISE NOTED		AOK-327		2680 WOODLAWN DR. HONOLULU, HI 96822	
	NEXT ASSY	X.X ±0.02	DATE: 03/29/04	NAME: POINTER	
AOK-300	X.XX ±0.005	DESIGN: VERN S	INSTRUMENT: ACQUISITION CAMERA		
	X.XXX ±0.001	JOS #: 181	TELESCOPE: NASA IRTF		
	∠ ±0.5°	MFG:	SCALE: 4:1	REVISION DATE: REV_DATE	SHEET NO. 1 OF 1