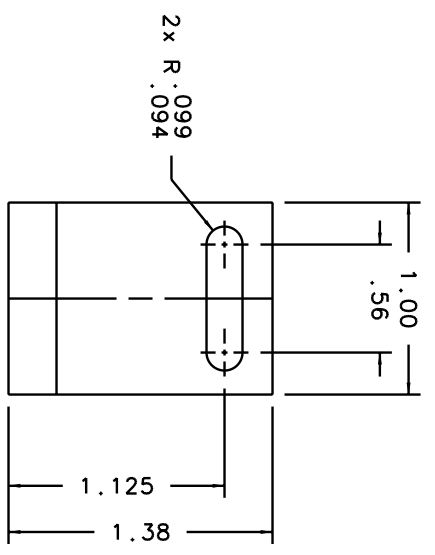
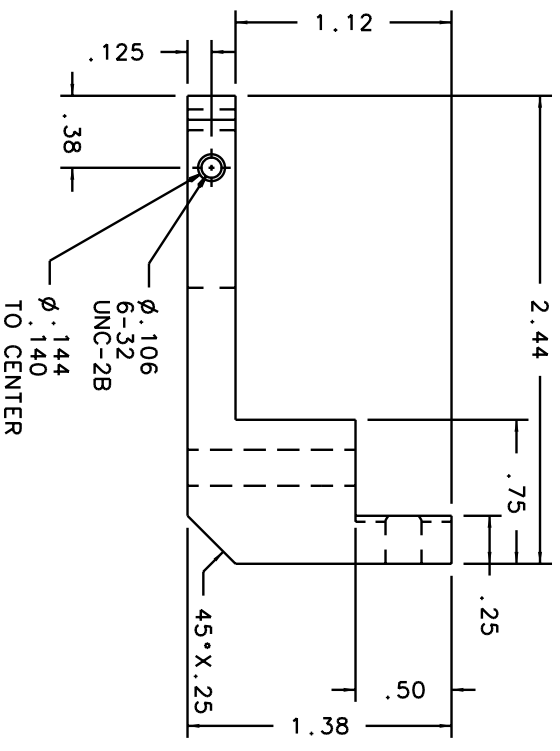
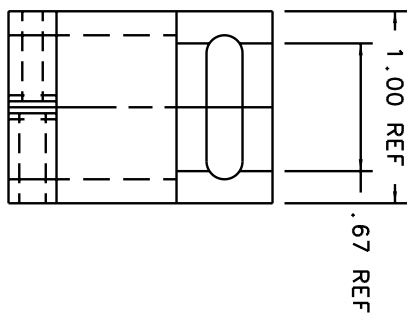
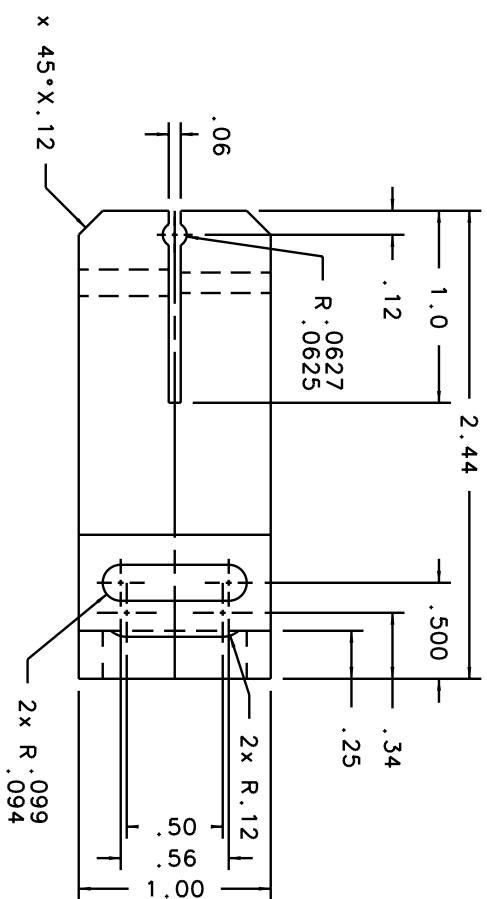
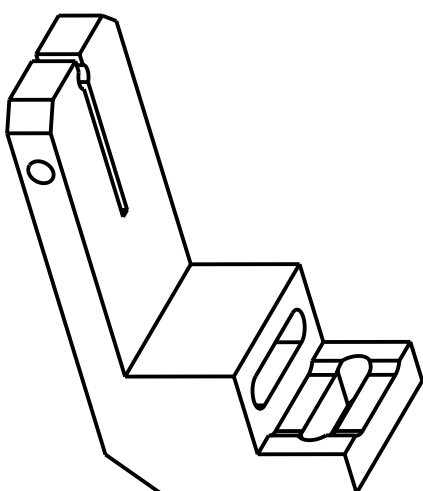


BILL OF MATERIAL			MATERIAL
ITEM Q'TY	DRW. NO.	DESCRIPTION	
1	3	AOK-326	MIM ROTATOR POINTER
			ALUM 6061-T6



<b>INSTITUTE FOR ASTRONOMY</b> 2680 WOODLAWN DR. HONOLULU, HI 96822		<b>DRAWING NUMBER</b> AOK-326		<b>NAME:</b> MIM ROTATOR POINTER	
<b>TOOLERANCES</b> UNLESS OTHERWISE NOTED		DATE: 02/19/04		INSTRUMENT: ACQUISITION CAMERA	
POST PROCESSING:	X .X ±0.02	DESIGN: VERN S		TELESCOPE: NASA IRTF	
SURFACE AREA:	X .XX ±0.005	JOS #: 181		SIZE: B	
WEIGHT:	X .XXX ±0.001	MFG:		REVISION DATE: REV_DATE	
OTHER:	11.80 IN <sup>2</sup>	SCALE: 1:1		SHEET NO. 1 OF 1	
	0.09 LBS	±0.5°			

POST PROCESSING:	
SURFACE AREA:	11.80 IN <sup>2</sup>
WEIGHT:	0.09 LBS
OTHER:	