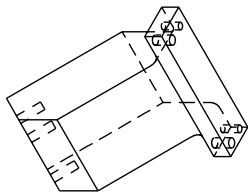
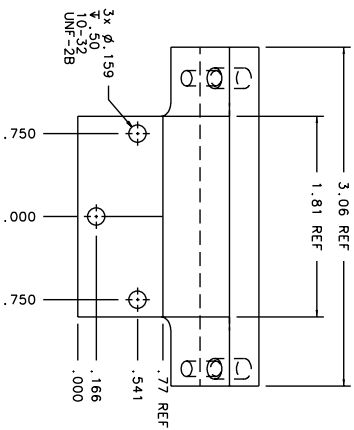
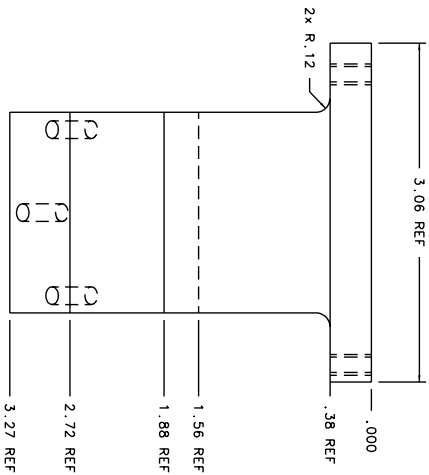
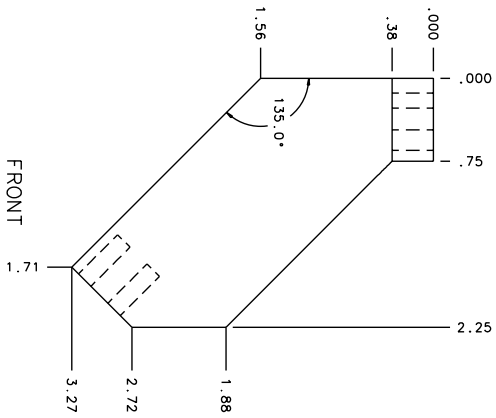
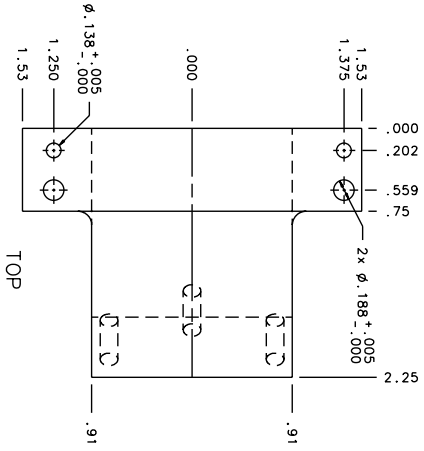


BILL OF MATERIAL			MATERIAL
ITEM Q'TY	DRW. NO.	DESCRIPTION	
1	AK-325	ACTUATOR GUARD BASE	ALUM 6061-T6

POSTPROCESSING: BLK ANODIZE
 WEIGHT: .75 LBS
 SURF AREA: 28.49 IN²



ISO: SCALE 1:2



TOLERANCES		DRAWING NUMBER		INSTITUTE FOR ASTRONOMY	
UNLESS OTHERWISE SPECIFIED		AK-325		UNIVERSITY OF HAWAII	
MEKT ASSY	X, X ±0.02	DATE: 05/08/02	NAME: ACTUATOR GUARD BASE	PROJECT NO. 11-0000	REV. DATE
AK-300	X, XX ±0.005	DESIGN: VERN S	TELESCOPE: NWSA INT		
	X, XXX ±0.001	JOS #: 948	SIZE: B	REVISION DATE: REV. DATE	
	±0.5°	MFG:	SCALE: 1:1	SHEET NO. 1 OF 1	