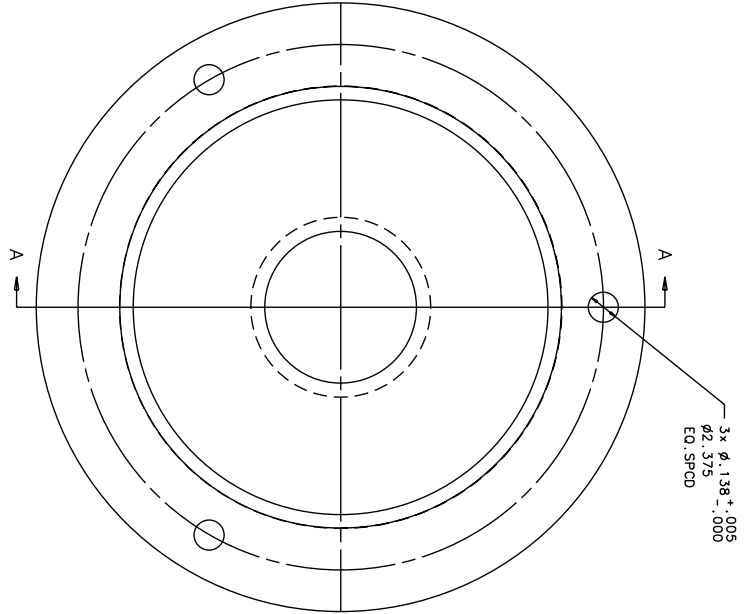
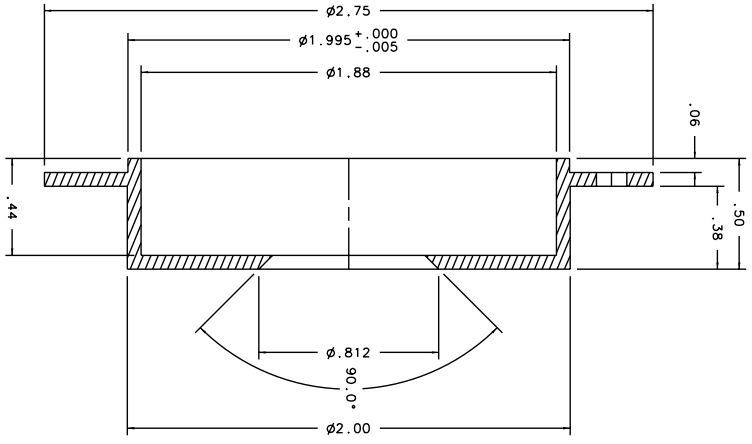


WEIGHT : .04 LBS
 ANODIZE : BLACK
 SURF AREA : 17.05 IN²

BILL OF MATERIAL			MATERIAL
ITEM Q'TY	DRW. NO.	DESCRIPTION	
1	AKC-320	NO FILTER BARFLE	ALUM 6061-T6



FRONT



SECTION A-A

TOLERANCES		DRAWING NUMBER		INSTITUTE FOR ASTRONOMY	
FINISH	SIZE	DATE	DESIGN/VERN S	NAME	NO FILTER BARFLE
X.X	±0.02	12/10/01	5	NSA	NSA
AKC-300	X.XX ±0.005			TELESCOPE	NSA INT
	X.XXX ±0.001	JOS # : 948		SIZE : B	REVISION DATE: REV. DATE
	±0.5°	MFG:	SCALE: 2:1	SHEET NO. 1	OF 1