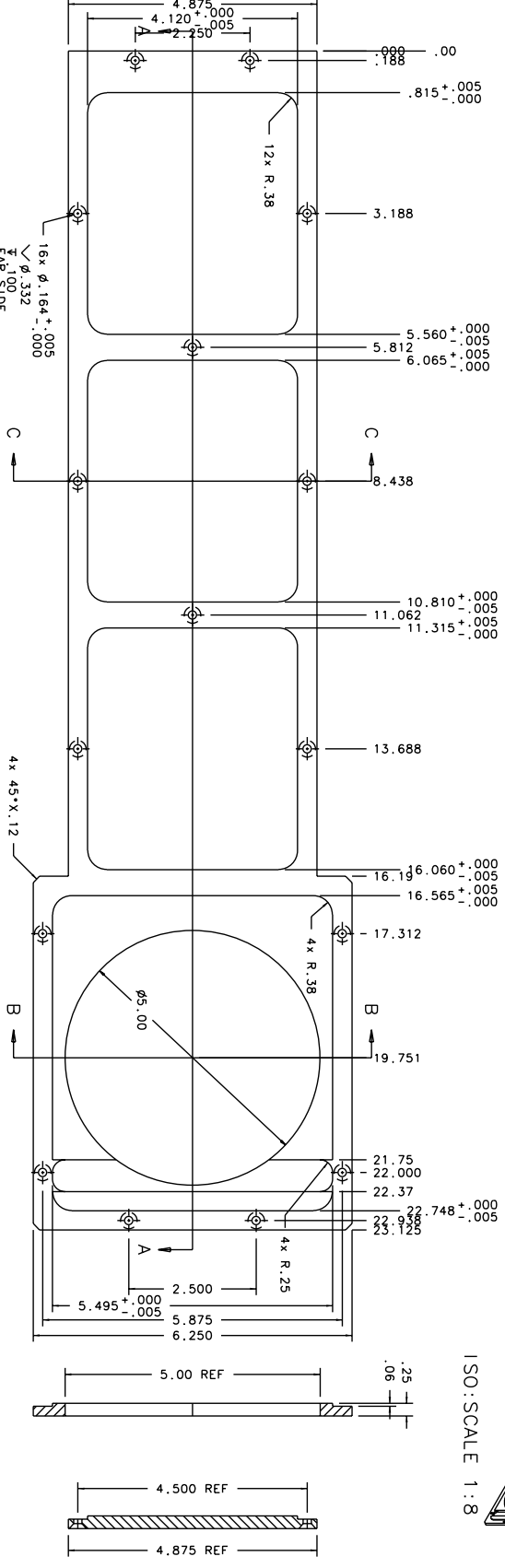
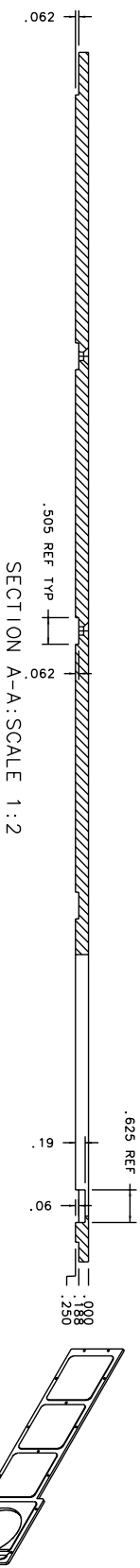


WEIGHT : 2.26 LBS
 ANODIZE : BLACK
 SURF AREA : 226.26 IN²

BILL OF MATERIAL			MATERIAL
ITEM Q'TY	DRW. NO.	DESCRIPTION	
1	AK-310	GRIBAL MOUNT STRUCTURE COVER	ALUM 6061-T6



FRONT: SCALE 1:2

TOLERANCES		DRAWING NUMBER		INSTITUTE FOR ASTRONOMY	
FEAT. TYPE	TOL.	NO.	REV.	DATE	BY
NEXT ASSY	X.X ±0.02	AK-310	1	12/13/01	NAME: GRIBAL MOUNT STRUCTURE COVER
AK-300	X.XX ±0.005	AK-310	1	DESIGN: VERN S	INSTRUMENT: WSA MTF
	X.XXX ±0.001	AK-310	1	JOS #: 948	TELESCOPE: WSA MTF
	±0.5°	AK-310	1	SCALE: INTD	REVISION DATE: REV. DATE
		AK-310	1	SHEET NO.	1 OF 1