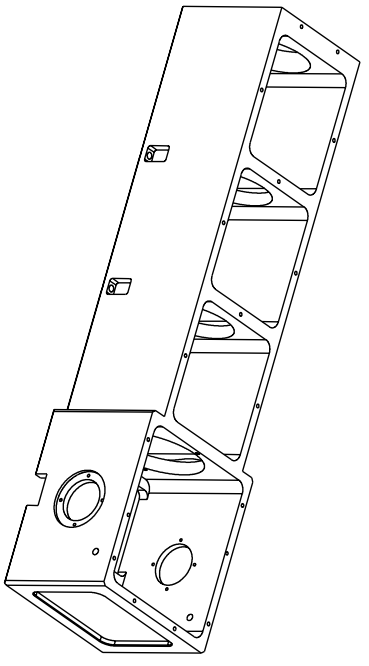
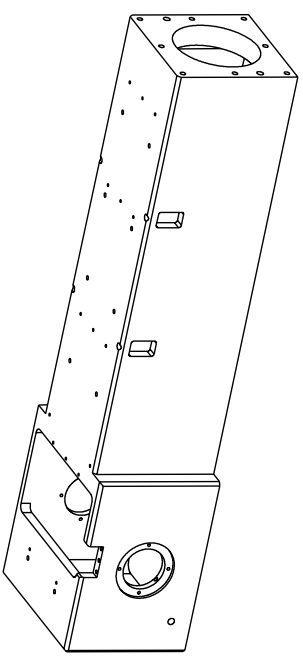


WEIGHT : 13.79 LBS  
 ANODIZE : BLACK  
 SURF AREA : 780.67

BILL OF MATERIAL		MATERIAL
ITEM Q'TY	DRW. NO.	DESCRIPTION



VIEW8 : SCALE 1 : 4



VIEW11 : SCALE 1 : 4

TOLERANCES		DRAWING NUMBER		INSTITUTE FOR ASTRONOMY	
DIMENSIONS		AOK-309-6		1500 BLDG. ST. PASADENA, CALIF. 91106	
NEXT ASSY	X, X ±0.02	DATE: 12/11/01	NAME: GIBRAL MOUNT STRUCTURE	REV. DATE:	
AOK-300	X, XX ±0.005	DESIGN: VERN S	TELESCOPE: NASA 18FT	REV. DATE:	
	X, XXX ±0.001	JOS #: 948	SCALE: INTD	REV. DATE:	
	±0.5°	MFG:	SHEET NO. 6 OF 6	REV. DATE:	