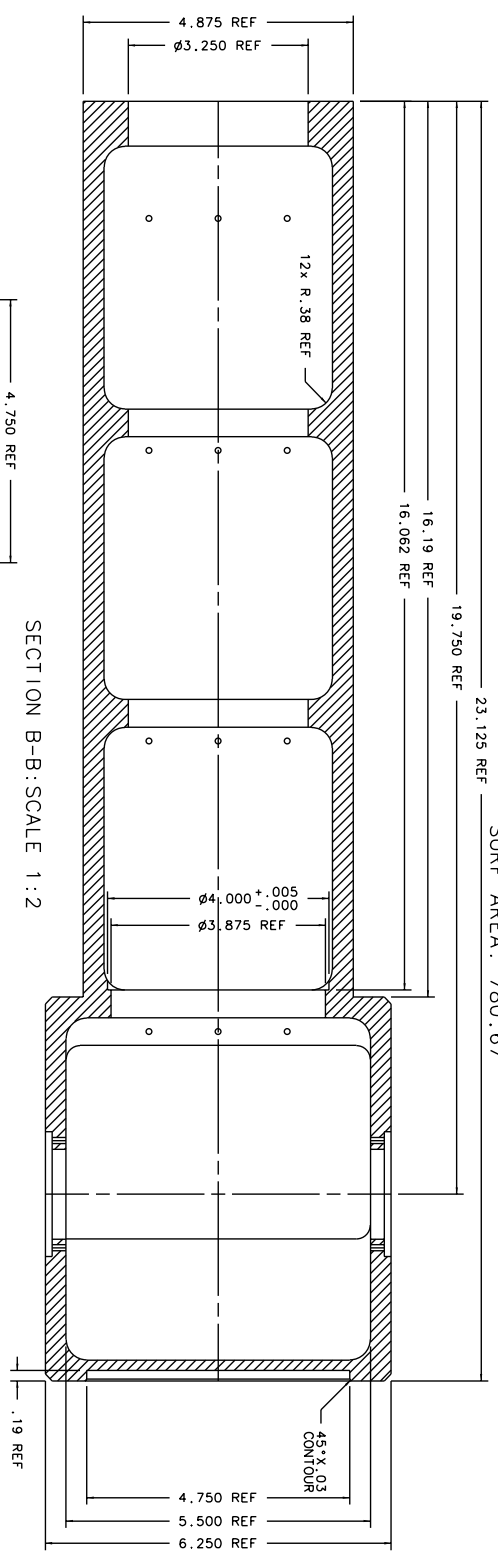
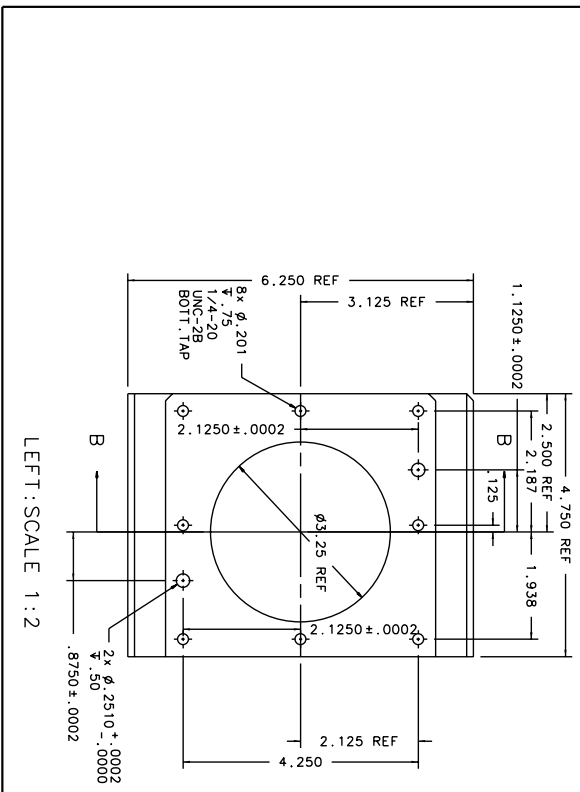


WEIGHT: 13.79 LBS
 ANODIZE: BLACK
 SURF AREA: 780.67

BILL OF MATERIAL		MATERIAL
ITEM Q'TY	DRW. NO.	DESCRIPTION



SECTION B-B: SCALE 1:2



LEFT: SCALE 1:2

TOLERANCES		DRAWING NUMBER		INSTITUTE FOR ASTRONOMY	
NEXT ASSY	X, X ± 0.02	DATE: 12/11/01	NAME: ORBITAL MOUNT STRUCTURE	PROJECT NO. 12-01-001	REV. 1
ADK-300	X, XX ± 0.005	DESIGN: VERN S	TELESCOPE: NASA HEF		
	X, XXX ± 0.001	JOS #: 948	SCALE: INTD	REVISION DATE: REV. DATE	
	± 0.5°	MFG:		SHEET NO. 5 OF 6	