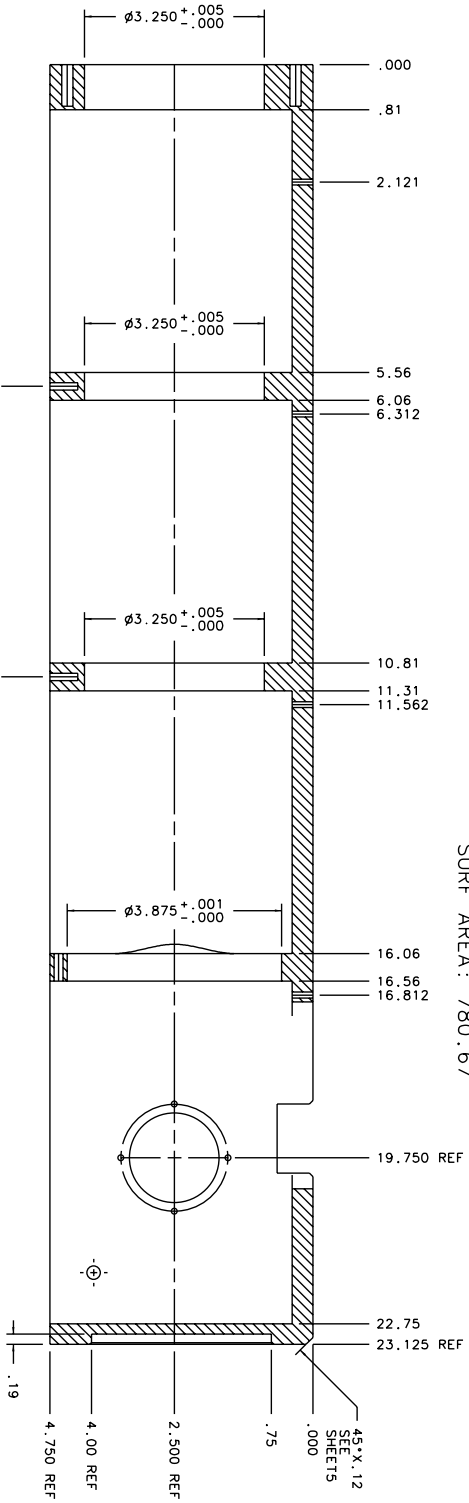
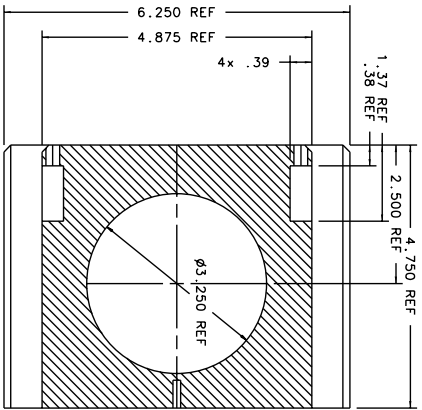


WEIGHT: 13.79 LBS
 ANODIZE: BLACK
 SURF AREA: 780.67

ITEM QTY	DRW. NO.	DESCRIPTION	MATERIAL



SECTION A-A: SCALE 1:2



SECTION D-D: SCALE 1:2

TOLERANCES		DRAWING NUMBER		INSTITUTE FOR ASTRONOMY	
NEUT ASSY	X, X ±0.02	DATE: 12/11/01	NAME: GIBRAL MOUNT STRUCTURE	INSTITUTE FOR ASTRONOMY	1515 S. ALAMO ST. SUITE 1100
ADK-300	X, XX ±0.005	DESIGN: VERN S	TELESCOPE: MSA 18" F	UNIVERSITY OF ARIZONA	TUCSON, AZ 85724
	X, XXX ±0.001	JOS #: 948	SIZE: B	REVISION DATE: REV. DATE	
	±0.5°	MFG:	SCALE: INTD	SHEET NO. 4 OF 6	