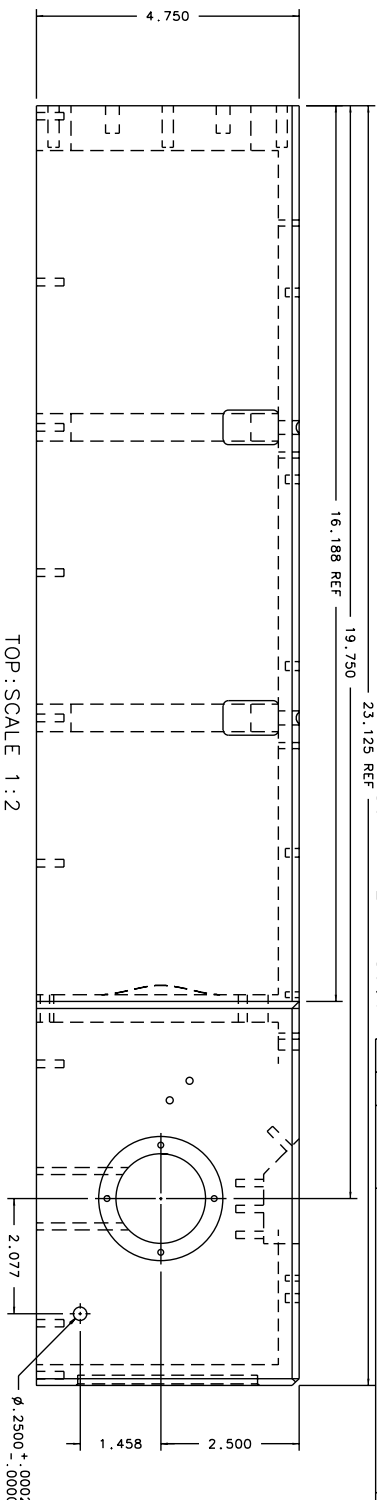
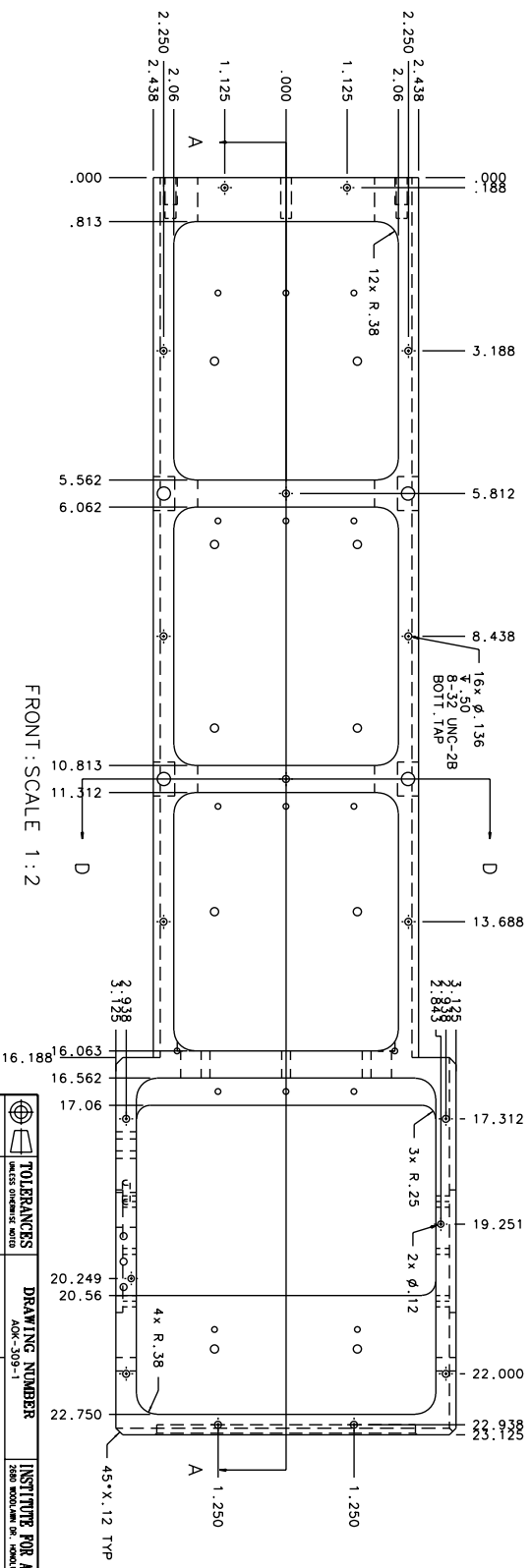


WEIGHT: 13.79 LBS  
 ANODIZE: BLACK  
 SURF AREA: 780.67

BILL OF MATERIAL			MATERIAL
ITEM Q'TY	DRW. NO.	DESCRIPTION	
1	AKK-309	GENRAL MOUNT STRUCTURE	ALUM 6061-T6



TOP: SCALE 1:2



FRONT: SCALE 1:2

TOLERANCES		DRAWING NUMBER		INSTITUTE FOR ASTRONOMY	
FEAT. TYPE	TOL.	NO.	REV.	REV.	DATE
NETL ASSY	X.X ±0.02	DATE:	12/11/01	NAME:	GENRAL MOUNT STRUCTURE
AKK-300	X.XX ±0.005	DESIGN:	VERM S	TELESCOPE:	NSA HRT
	X.XXX ±0.001	JOS #:	948	SIZE:	B
	±0.5°	MFG:		REVISION DATE:	REV. DATE
				SCALE:	INDTD
				SHEET NO.:	1 OF 6