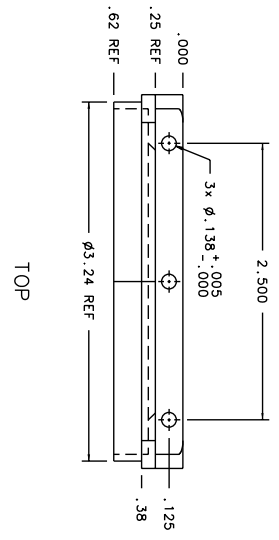
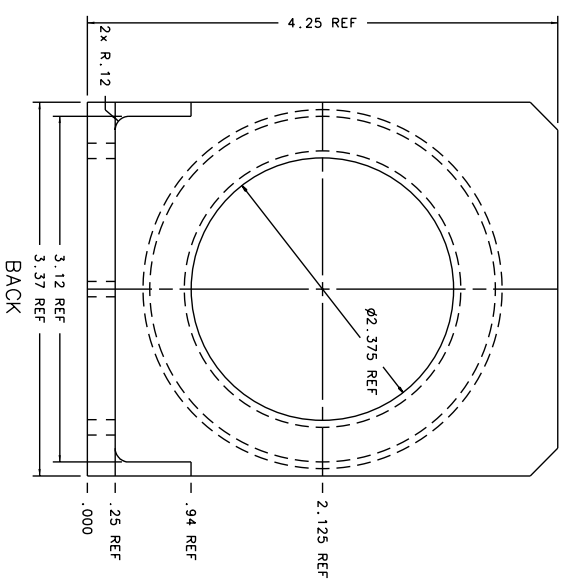
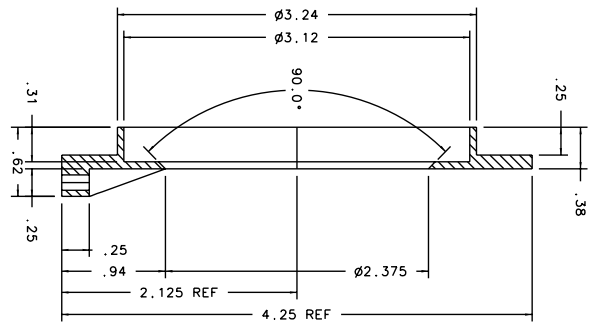
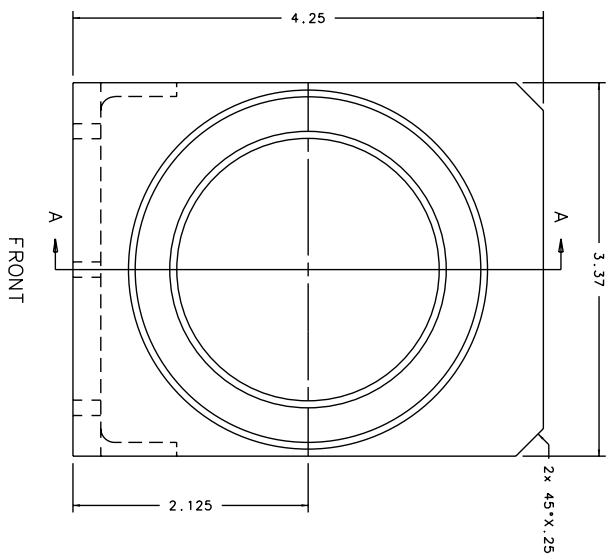
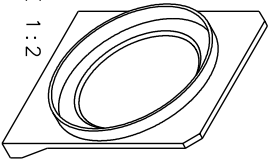


BILL OF MATERIAL			MATERIAL
ITEM Q'TY	DRW. NO.	DESCRIPTION	
1	AK-304	BAFFLE NO2	ALUM 6061-T6

WEIGHT: 0.13 LBS
 ANODIZE: BLACK
 SURF AREA: 29.69 IN²



ISO: SCALE 1:2



SECTION A-A

TOLERANCES		DRAWING NUMBER		INSTITUTE FOR ASTRONOMY	
FEAT	FEAT TOL	NO	REV	NO	REV
NET ASSY	X, X ±0.02	DATE:	12/10/01	NAME:	BAFFLE NO2
AK-300	X, XX ±0.005	DESIGN:	VERM S	TELESCOPE:	NSA INT
	X, XXX ±0.001	JOS #:	948	SIZE:	B
	±0.5°	MFG:		REVISION DATE:	REV. DATE
				SCALE:	1:1
				SHEET NO.:	1 OF 1