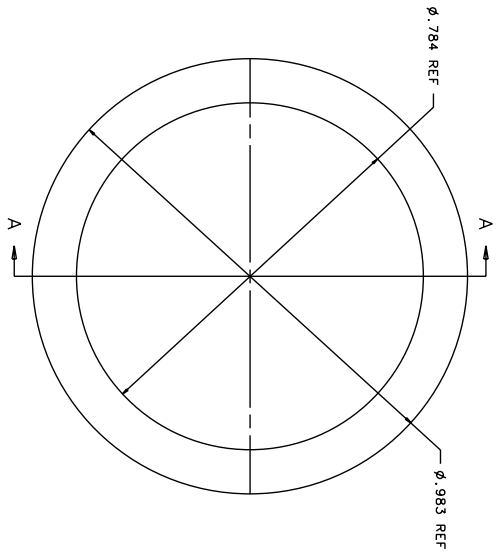
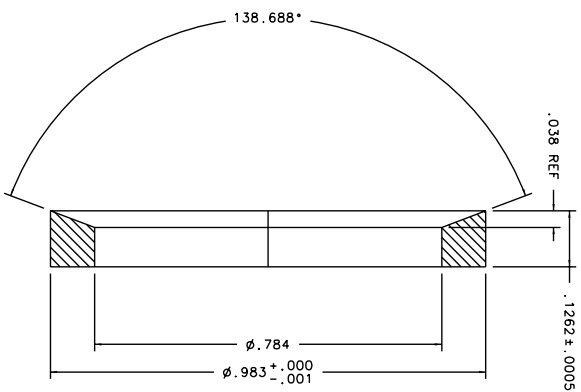


WEIGHT : 0.002
 ANODIZE : BLACK
 SURF AREA : 1.17 IN²

BILL OF MATERIAL			MATERIAL
ITEM	QTY	DRW. NO.	DESCRIPTION
1	1	AKK-273	LENS RETAINER4
			ALUM 6061-T6



FRONT



SECTION A-A

TOLERANCES		DRAWING NUMBER		INSTITUTE FOR ASTRONOMY	
FEAT.	TOL.	NO.	REV.	DATE	BY
ALL DIMENSIONS	X, X, X ± 0.02	AKK-273		01/28/02	
KEYWAYS	X, XX ± 0.005	NAME :	LENS RETAINER4	INSTRUMENT :	
HOLES	X, XXX ± 0.001	DESIGN :	VERM S	TELESCOPE :	NASA IPT
ANGLES	± 0.5°	JOS # :	948	SIZE :	B
		MFG :		REVISION DATE :	REV. DATE
		SCALE :	4:1	SHEET NO. :	1 OF 1