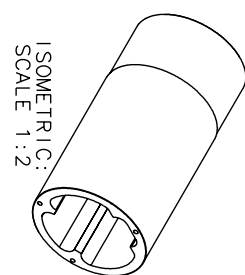
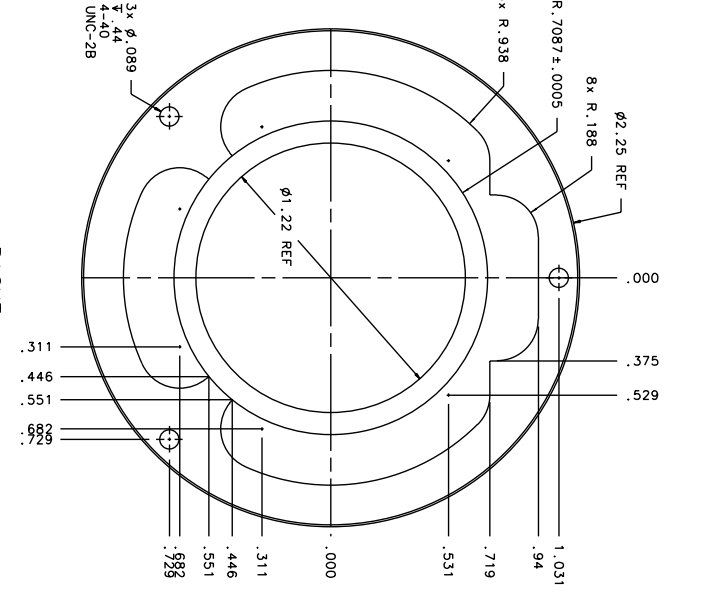
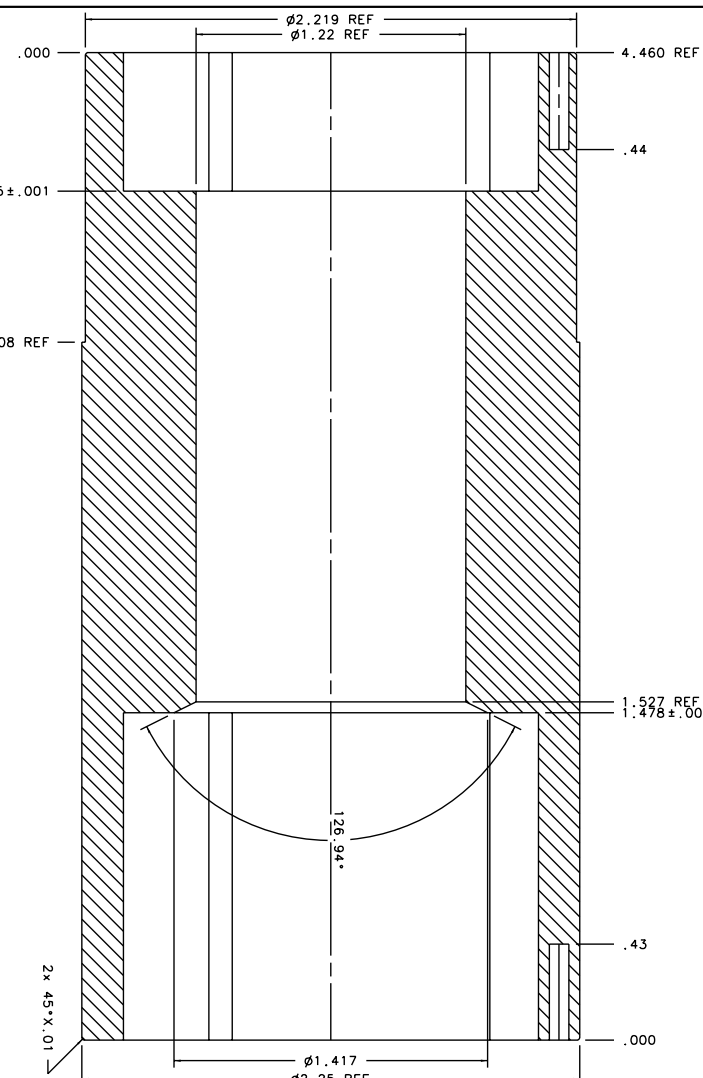


WEIGHT : 0.90 LBS
 ANODIZE : BLACK
 SURF AREA : 60.11 IN²

ITEM Q'TY	DRW. NO.	DESCRIPTION	MATERIAL



TOLERANCES		DRAWING NUMBER		INSTITUTE FOR ASTRONOMY	
FEAT. DIMENSIONS	FEAT. DIMENSIONS	AK-251-2	AK-251-2	NAME: IERS CELL	NAME: IERS CELL
X.X ± 0.02	X.X ± 0.02	DATE: 01/31/02	DATE: 01/31/02	INSTRUMENT: TELESCOPE	INSTRUMENT: TELESCOPE
X.XX ± 0.005	X.XX ± 0.005	DESIGN: VERN 5	DESIGN: VERN 5	TELESCOPE: NMA NRT	TELESCOPE: NMA NRT
X.XXX ± 0.001	X.XXX ± 0.001	JOS #: 948	JOS #: 948	SIZE: B	SIZE: B
± 0.5°	± 0.5°	MFG:	MFG:	REVISION DATE: REV. DATE	REVISION DATE: REV. DATE
				SCALE: 2:1	SCALE: 2:1
				SHEET NO. 2 OF 2	SHEET NO. 2 OF 2